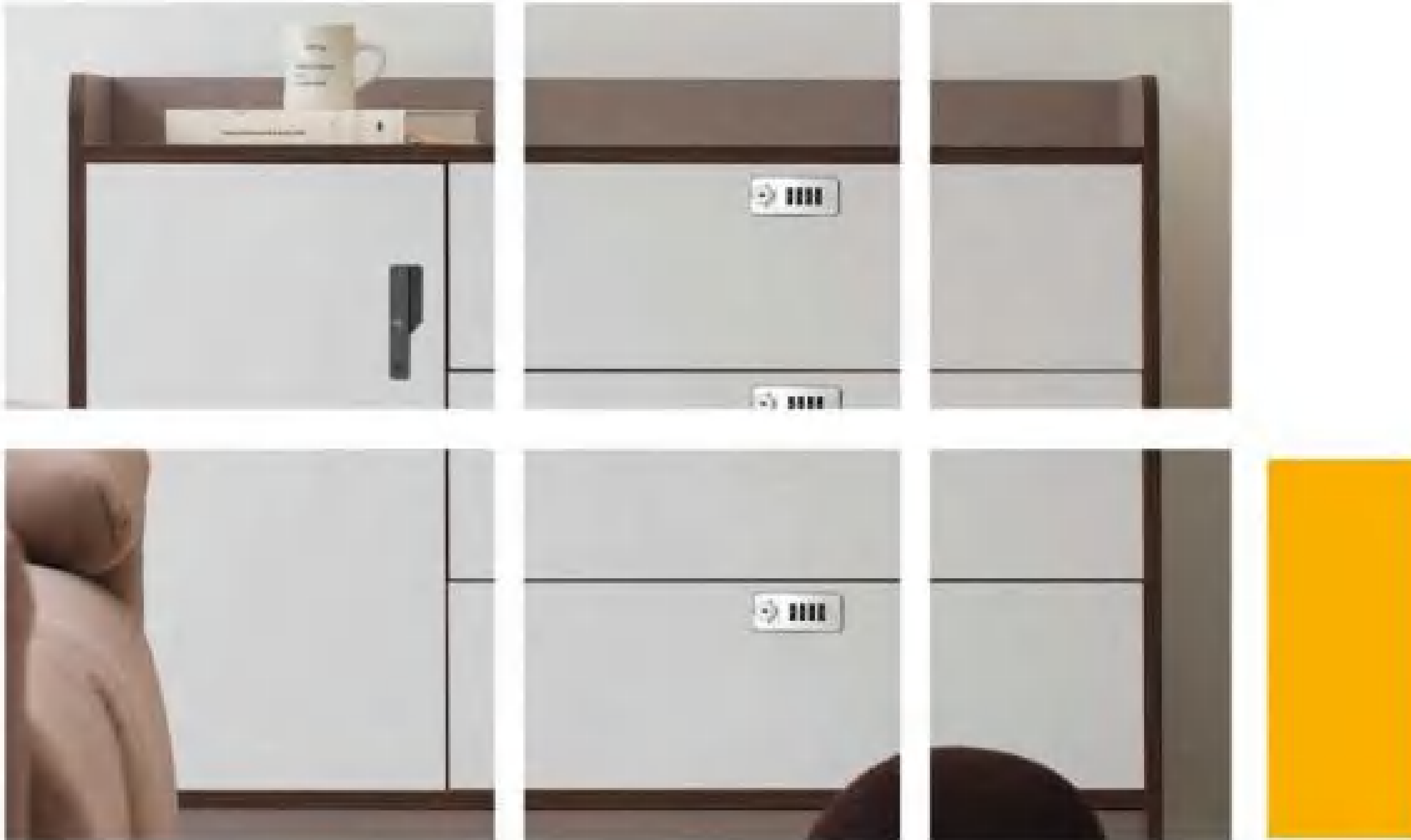


NINGBO RATO

HARDWARE CO., LTD



PRODUCT CATALOGUES



NBRATO CORPORATE CULTURE

At Ningbo Rato Hardware Co., Ltd, we specialize in creating reliable hardware products. We're one of the top manufacturers in the LOCK PRODUCTS. Our range includes:

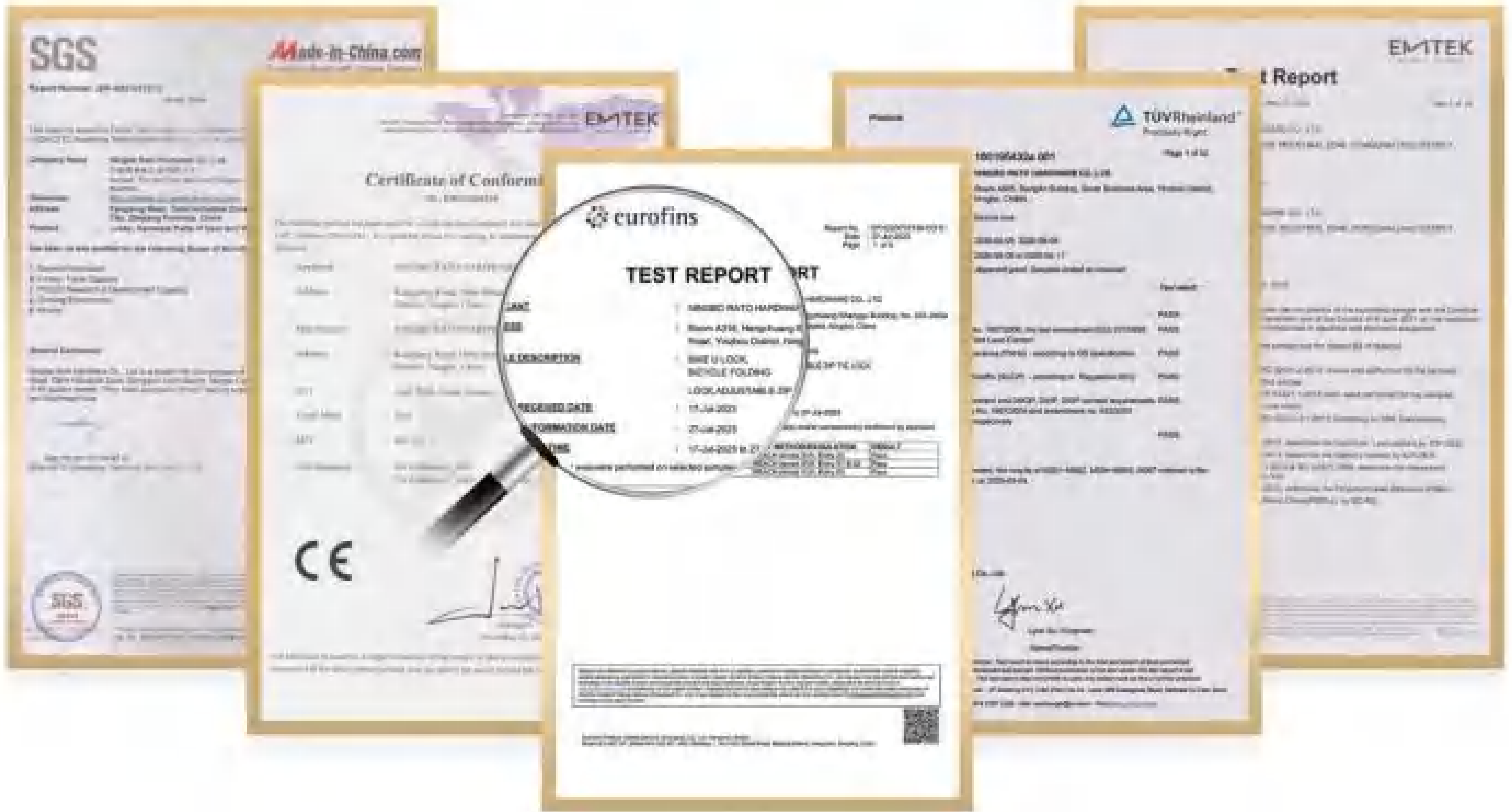
- Furniture Lock: Modern security solutions
- Bike Lock: Protect for your bike and Scooters
- Laptop Lock: keep laptop from Stolen
- Key Lock box: secure and storage of key
- Safe Handle and Part Series: Components that fortify safes
- Trailer Lock: Guards against towaway theft in storage
- Lock-Pick Set: Essential tools for locksmiths.

Our 4,000 square meter factory is the heart of our operations, where our dedicated teams work diligently to produce quality products. Every item undergoes rigorous testing, and we're proud to hold CE & ROHS certifications.

With advantages of competitive prices, excellent quality and Support for OEM, ODM, our product has been sold to more than 50 countries and regions in North America, Europe, Southeast Asia, Middle East and other places, with a large number of overseas users. We sincerely hope to cooperate with customers from all over the world.

Innovation drives us. We're always looking for ways to improve and expand our product line to serve our customers better. Our clientele, spanning various industries, trusts our products for their reliability and durability.

CERTIFICATE



CONTENT

ELECTRONIC LOCK	01~06	BICYCLE LOCK	25~35
COMBINATION LOCK	07~15	TRAILER LOCK	36~40
LAPTOP LOCKS	16~20	RV LOCK	40~44
SAFE LOCK	21~24		



TIMED LOCK

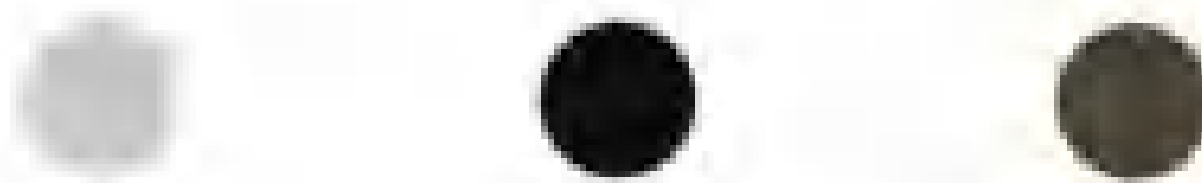


RE-032 Time lock

Material: ABS Plastic
Size: 76*40*13mm
Weight: 30g
Color: White, Black
Battery Capacity: 3.7V lithium battery
Standby time: 1 year
Emergency charging: Micro usb interface



RE-076 Metal timer lock



Material: Zinc Alloy
Standby time: More than 500 hours
Size: 79*46*18mm
Weight: 110g
Color: Silver, Brown
Battery Capacity: 3.7v/200mah
Application: Learning, leisure, business, romantic lock machine



• Charge once, with a range of 500 hours



LOCK MOBILE PHONE

LOCK CIGARETTE CASE

LOCK THE CASE AND BAG



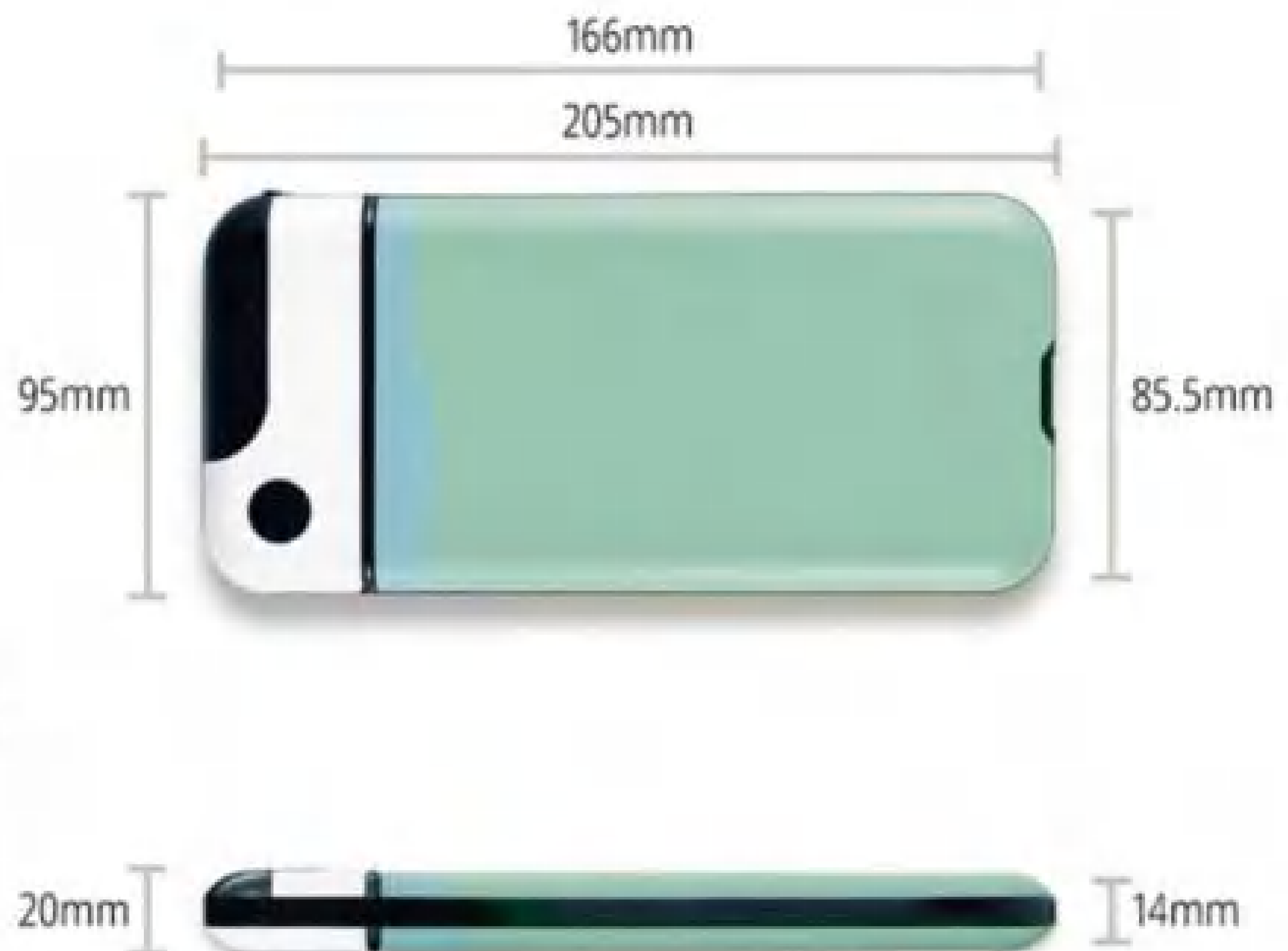
- GREEN
- BLUE
- PINK

RE-189

Phone lock box

Material:ABS
 Dimension:205*95*20mm
 Net Weight:163g
 Power Supply:Built-in lithium battery
 Battery Capacity:300 mAh
 Standby Time:45 days
 Setting Time:5 mins to 12 hours

Dimensions (outside and inner)



FINGERPRINT PADLOCK



RE-157

Fingerprint padlock

Material: Zinc Alloy
Size: 76*40*13mm
Weight: 100g
Color: Silver, Black
Battery Capacity: 3.7V lithium battery
Standby time: 1 year
Emergency charging: Micro usb interface

RE-162

Zipper fingerprint lock

Material: Zinc Alloy+PC
Lock Size: 59*30.6*17.5mm
Weight: 45g
Power Supply: 3.7V Lithium Battery
Groups of fingerprint: 10 sets



IP-67

RP-090

Fingerprint padlock

Material: Zinc Alloy+ABS+Stainless Steel
Size: 46*77mm
Unlock Method: Password/Fingerprint
Color: Black
Battery: Button Battery (Not Included)
Steel beam tension: 400kg





RE-020

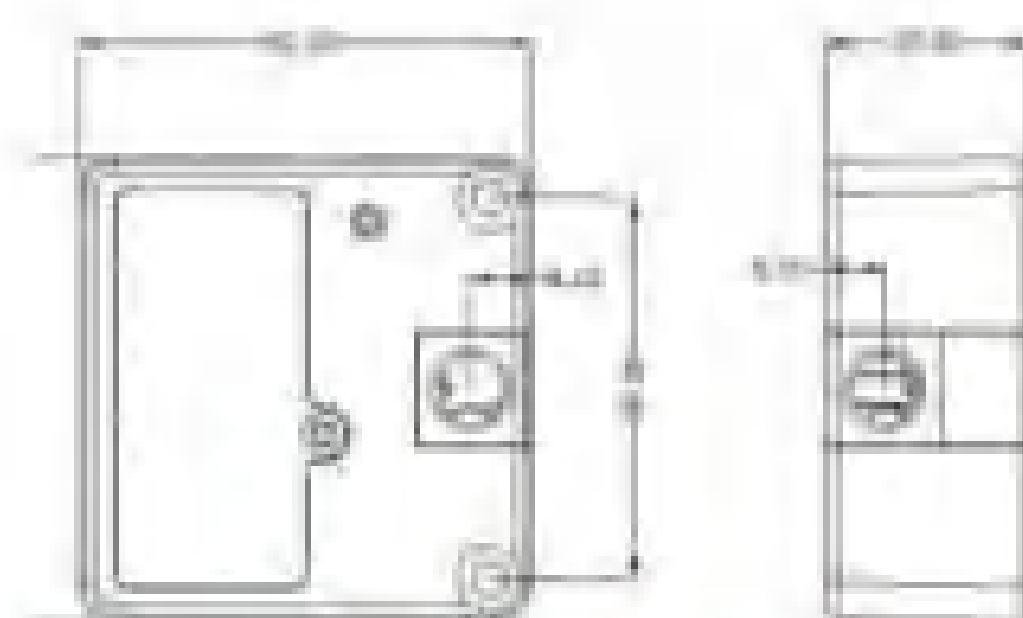
Sauna cabinet lock lock

Material: Zinc alloy+ABS
Size: 40*40*31mm
Weight: 322g
Color: Golden, Silver
Battery Life: 7-10 months
Unlock Mode: Single Card or Dual Cards
Applicable door thickness: <25mm
Suitable for: Cabinet

RE-084

invisible cabinet lock

Material: ABS
Lock Size: 63*86*28mm
Weight: 170g
Power Supply: 2pcs AAA Batteries
Induction Penetration Thickness: 50mm
Color: Black, grey, White



RE-026

invisible cabinet lock

Material: ABS
Lock Size: 80*80*27mm
Weight: 250g
Power Supply: 4pcs AAA Batteries
Unlock: Card+NFC, APP(Optional)

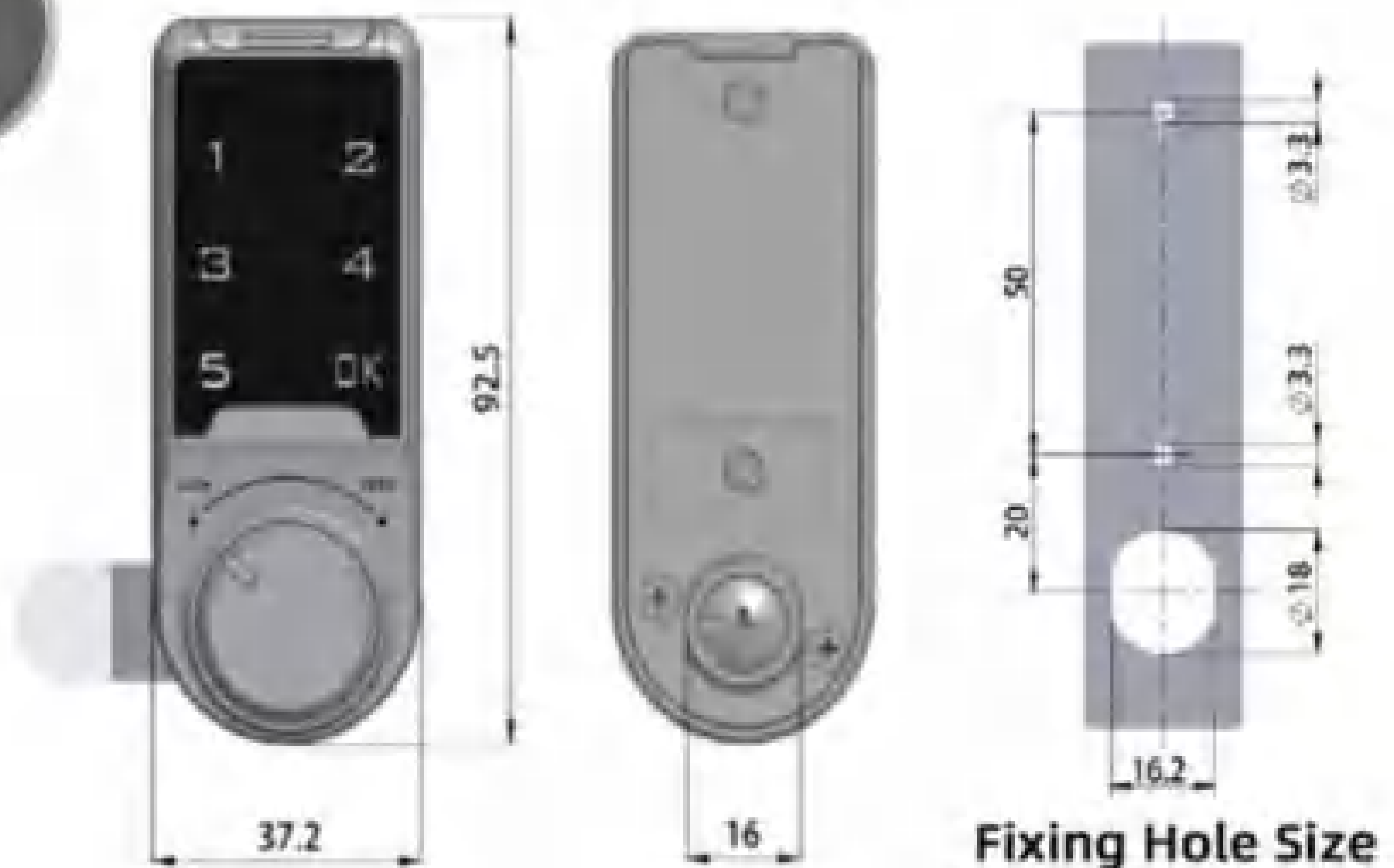


RE-199

Electronic cabinet cam lock

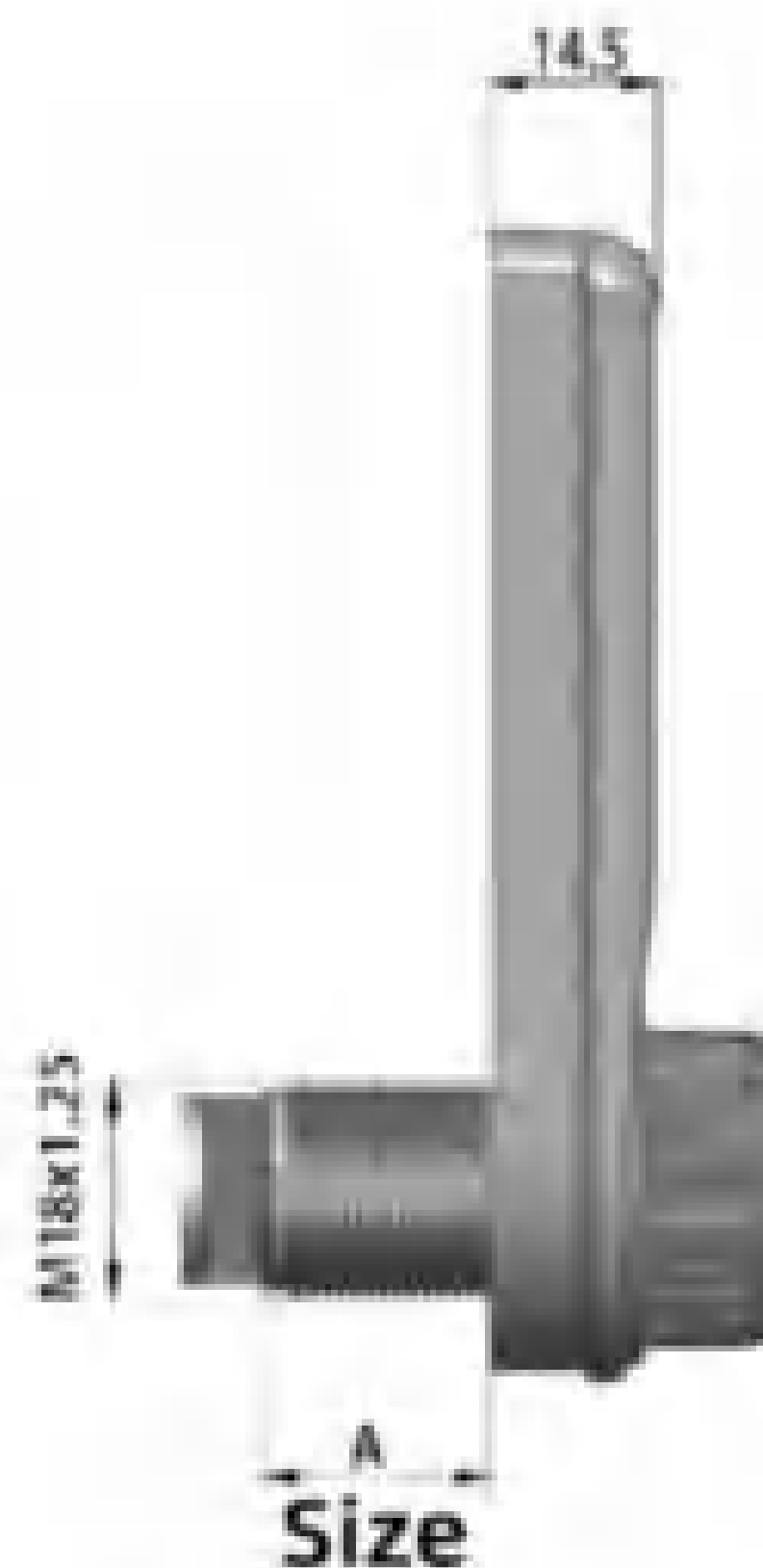
- Support Public Mode and One-time Password
- ABS Environmental Protection Panel
- No Key, Easy to Operate
- Low Battery Loss and Long Service Life

Material:ABS
 Color:Black
 Panel Size:37.2*92.5mm
 Weight:110g
 Battery:Button Battery
 (Not included)



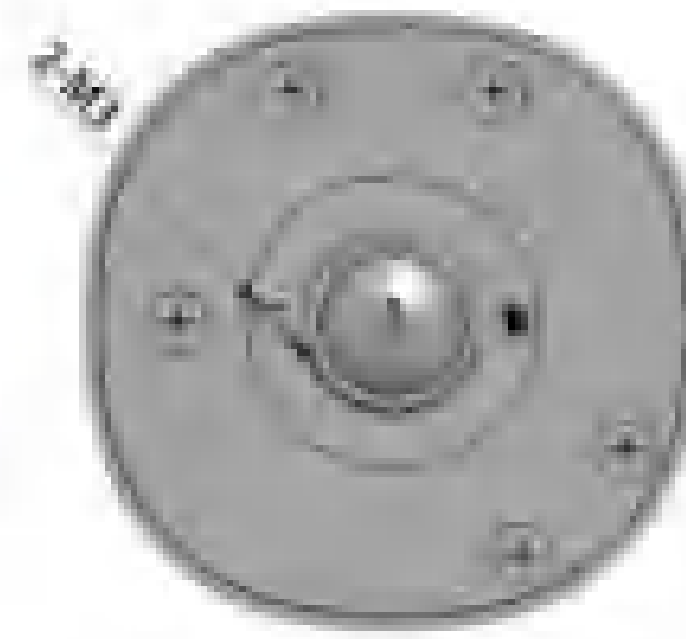
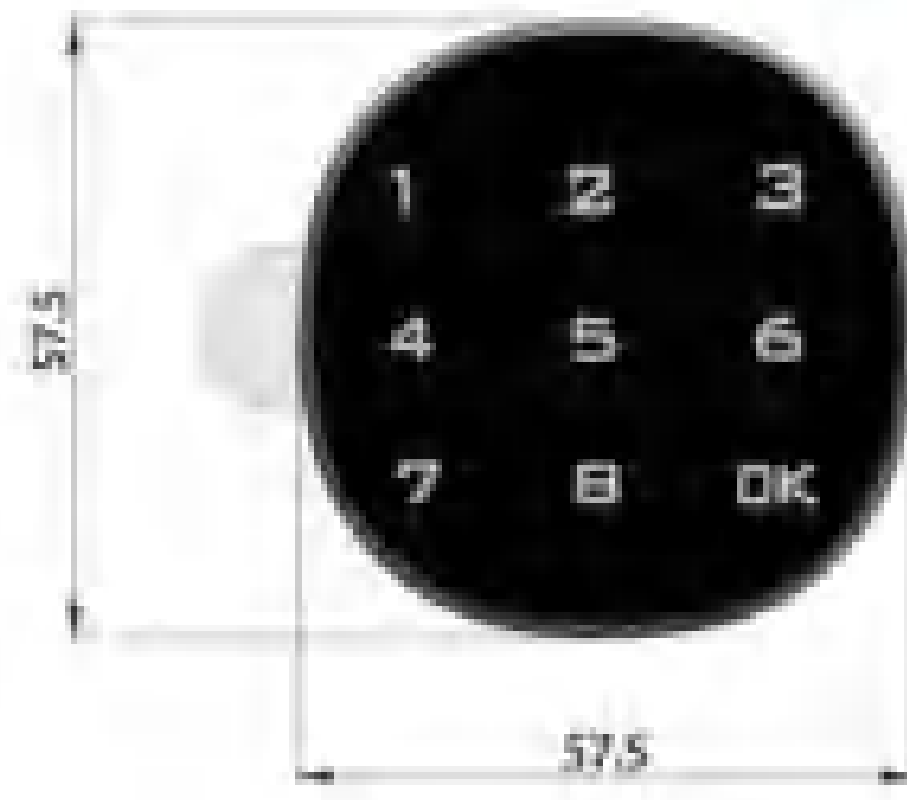
Fixing Hole Size

A Size	Thickness	Opening
20mm	< 14mm	> 18mm
30mm	< 25mm	> 18mm





Public Mode Settable ○



RE-012

Electronic cabinet cam lock

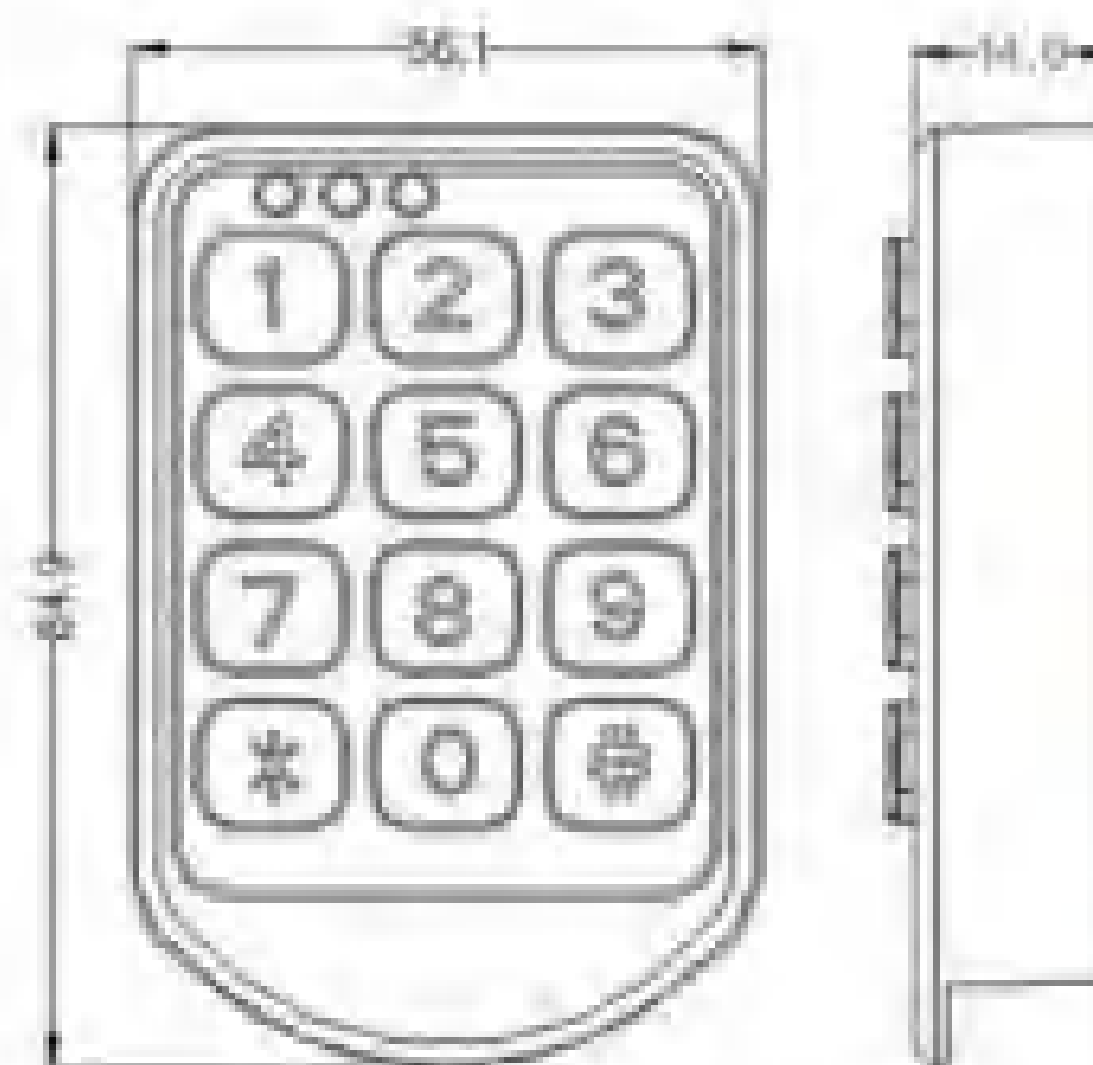
Material: Zinc Alloy
 Size: 20mm, 30mm
 Weight: 140g/150g
 Panel size: 57.5*57.5*40mm
 Color: Black+Silver
 Digit: 8 numbers

○ Public Mode Settable

RE-008

Electronic cabinet cam lock

Material: ABS/Zinc Alloy
 Size: 56.1*84.9mm
 Color: Black/Silver
 Battery: 4pcs AAA batteries
 Password: Management Password;
 User Password; One-time Password



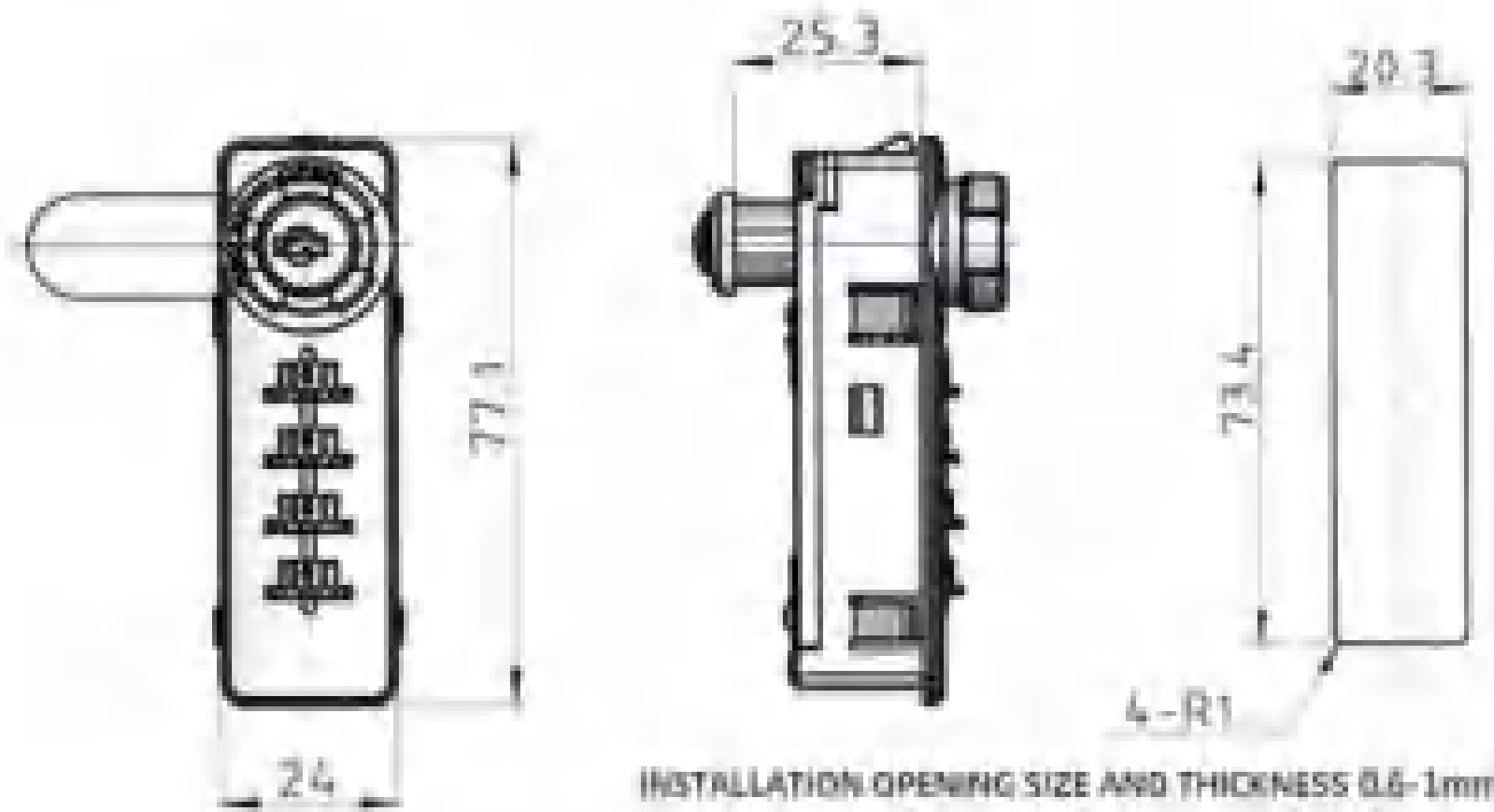
COMBINATION LOCK

Public Mode Settable ○

RD-095

Furniture combination cam lock

Material:ABS+Zinc Alloy
Wheel Material:Engineering Plastic
Weight:140g
Size:77*24*25.3mm
Unlock Way:Password
Direction:Left,Right,Vertical
Color:Black

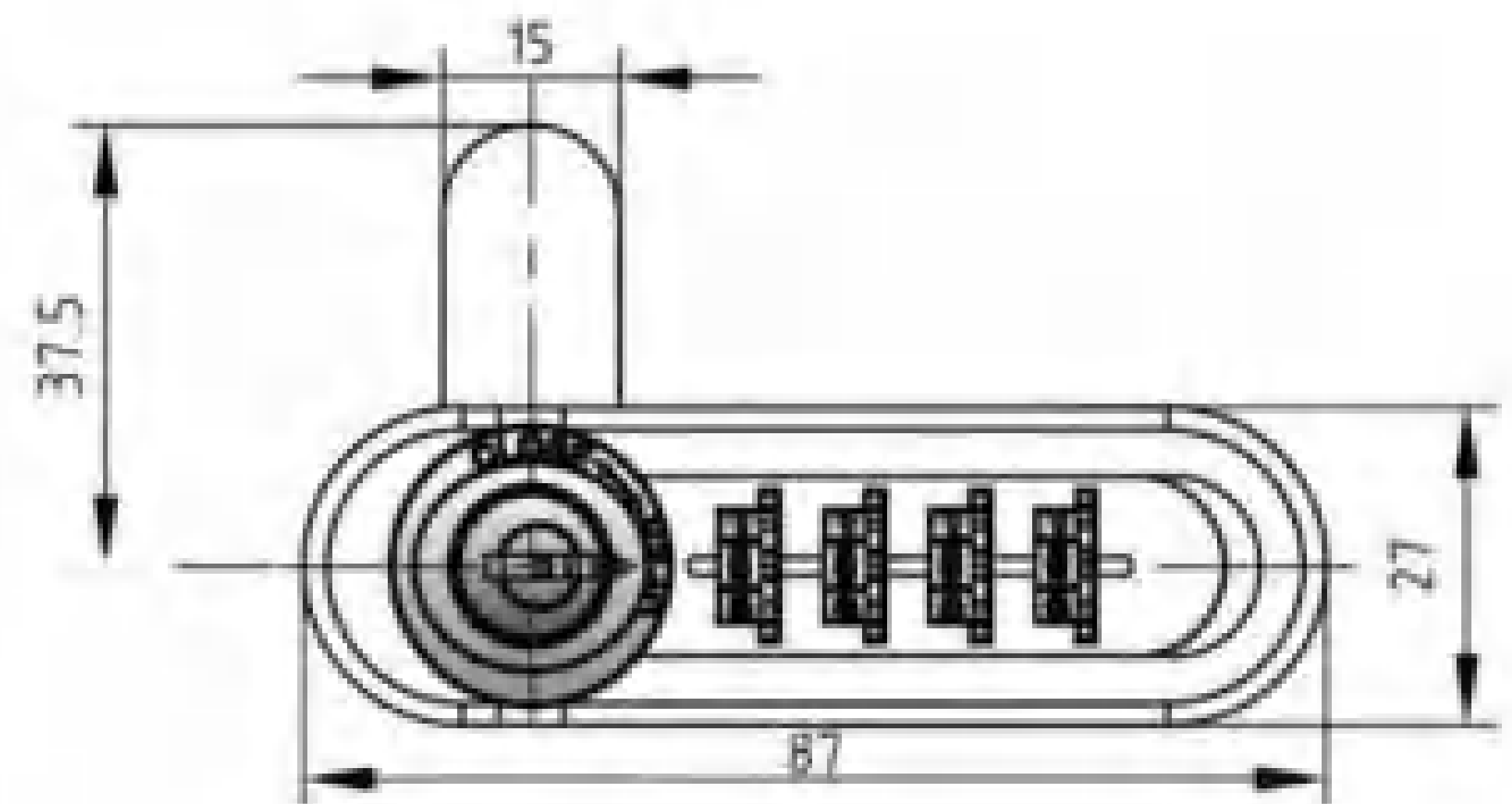
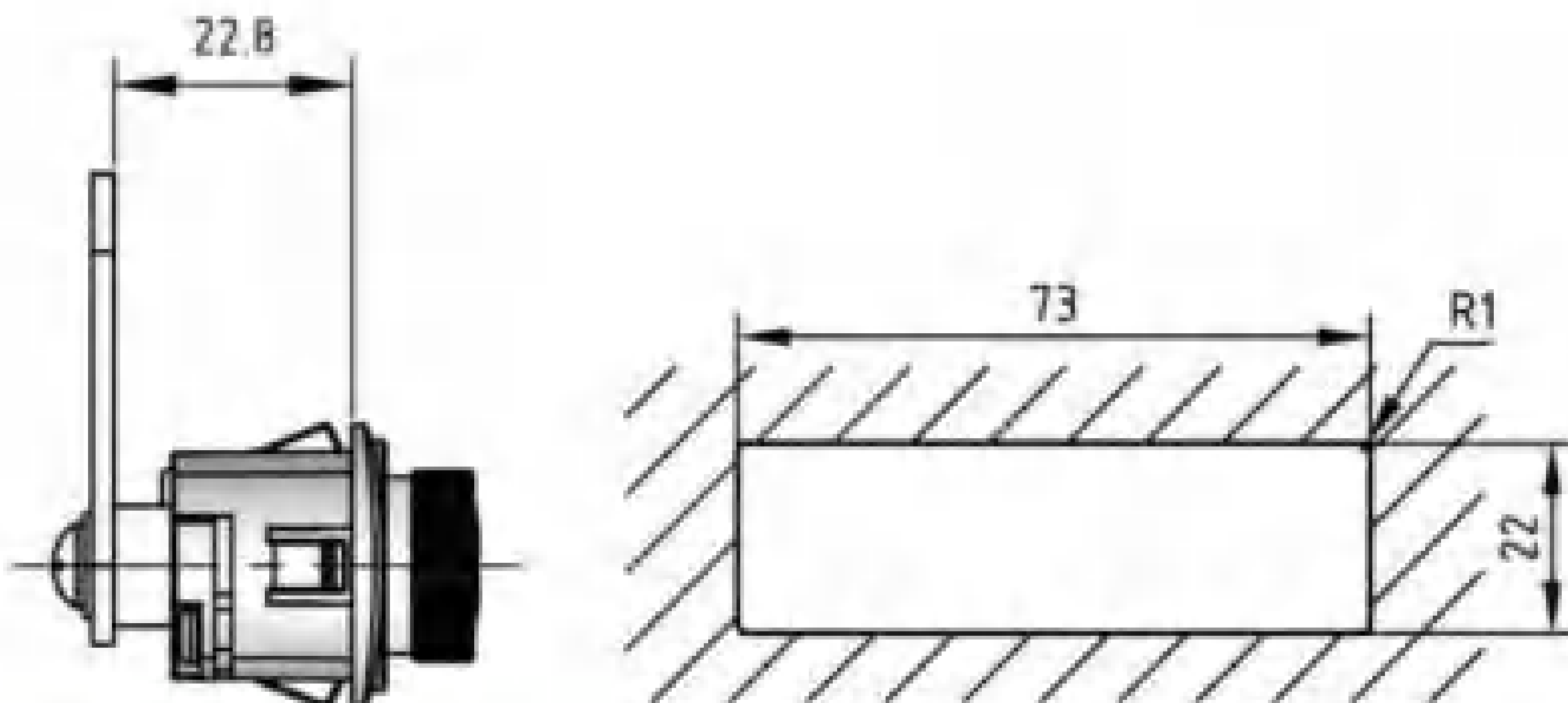


○ Public Mode Settable

RD-904

Furniture combination cam lock

Material:Engineering plastics,Zinc Alloy
Weight:55g
Panel Size:87*27mm
Color:Black
Direction:Left, Right
Usage:Drawer/Cabinet
Suitable for:Steel/Wooden cabinet



RD-017

Metal combination cabinet lock

Material: Zinc Alloy

Weight: 254g

Size: 94*42*38.3mm

Color: Silver

Usage: Drawer/Cabinet

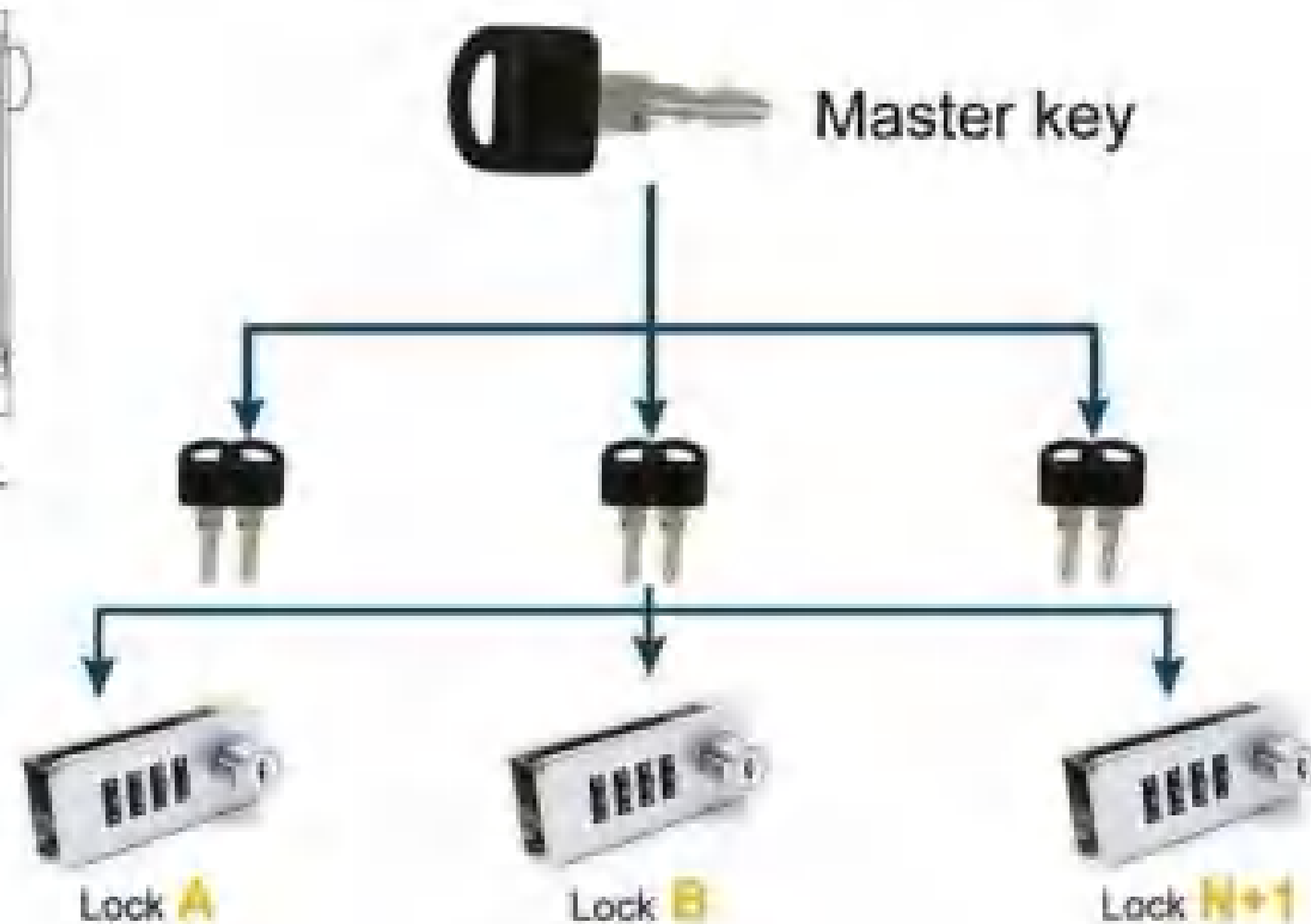
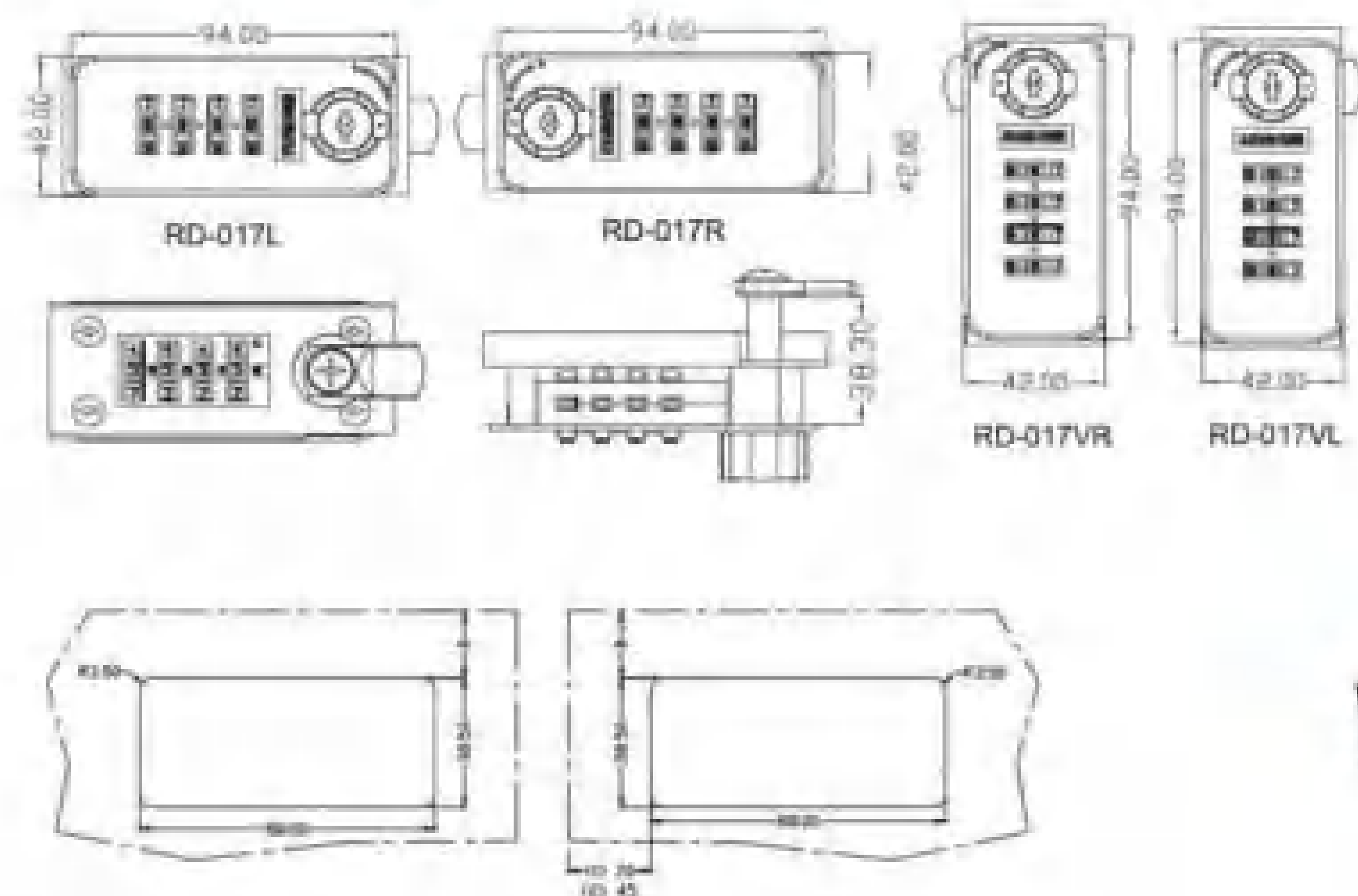
Suitable for: Steel/Wooden cabinet

Keys: 2pcs individual key+1pcs/carton master key



- All metal with independent key
- Multi group management system meet different needs
- Suitable for metal and wooden cabinet
- Easy to retrieve the lost number

Model	Plate thickness
RD-017-5	<8mm
RD-017-18 <i>(Regular Size)</i>	9mm~18mm
RD-017-28	18mm~28mm



COMBINATION LOCK SERIES

RD-015NEW

Master key combination lock

Material:ABS+Zinc Alloy

Weight:55g

Size:72*27*24.3mm

Color:Black

Code Digital:4 digital

Direction:Left,Right,Vertical

Suitable for:steel/wooden cabinet

Keys:master key 2%

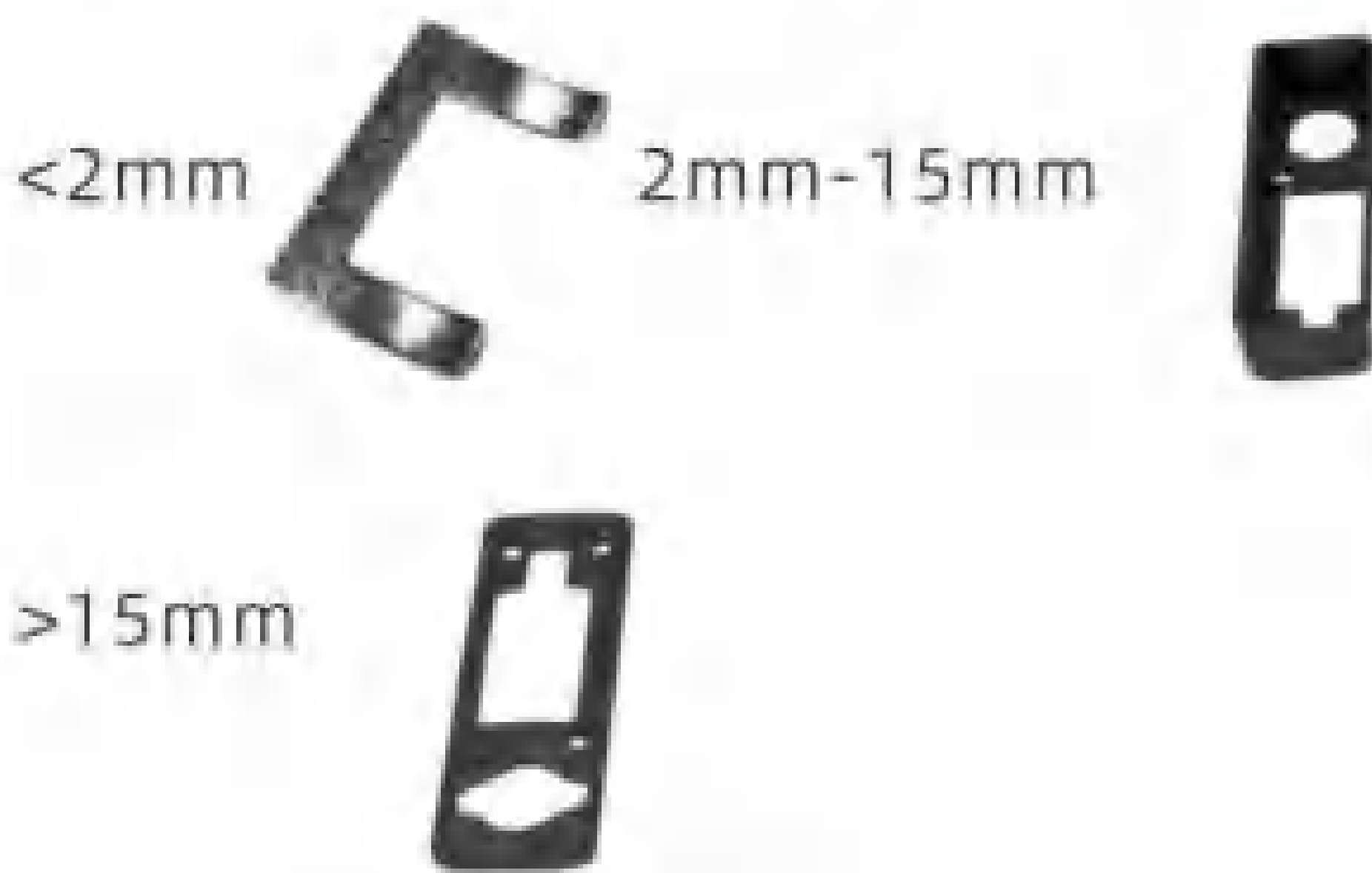


Zinc Alloy Cylinder

General Accessories:



Installation Accessories:



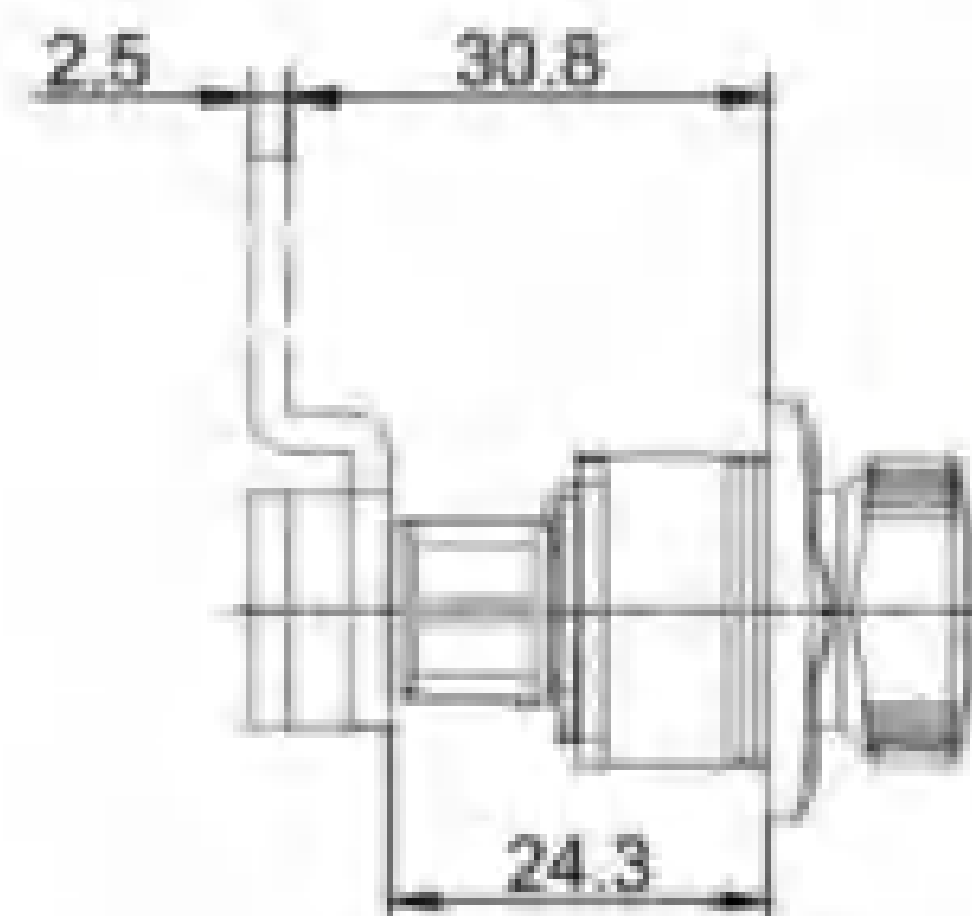
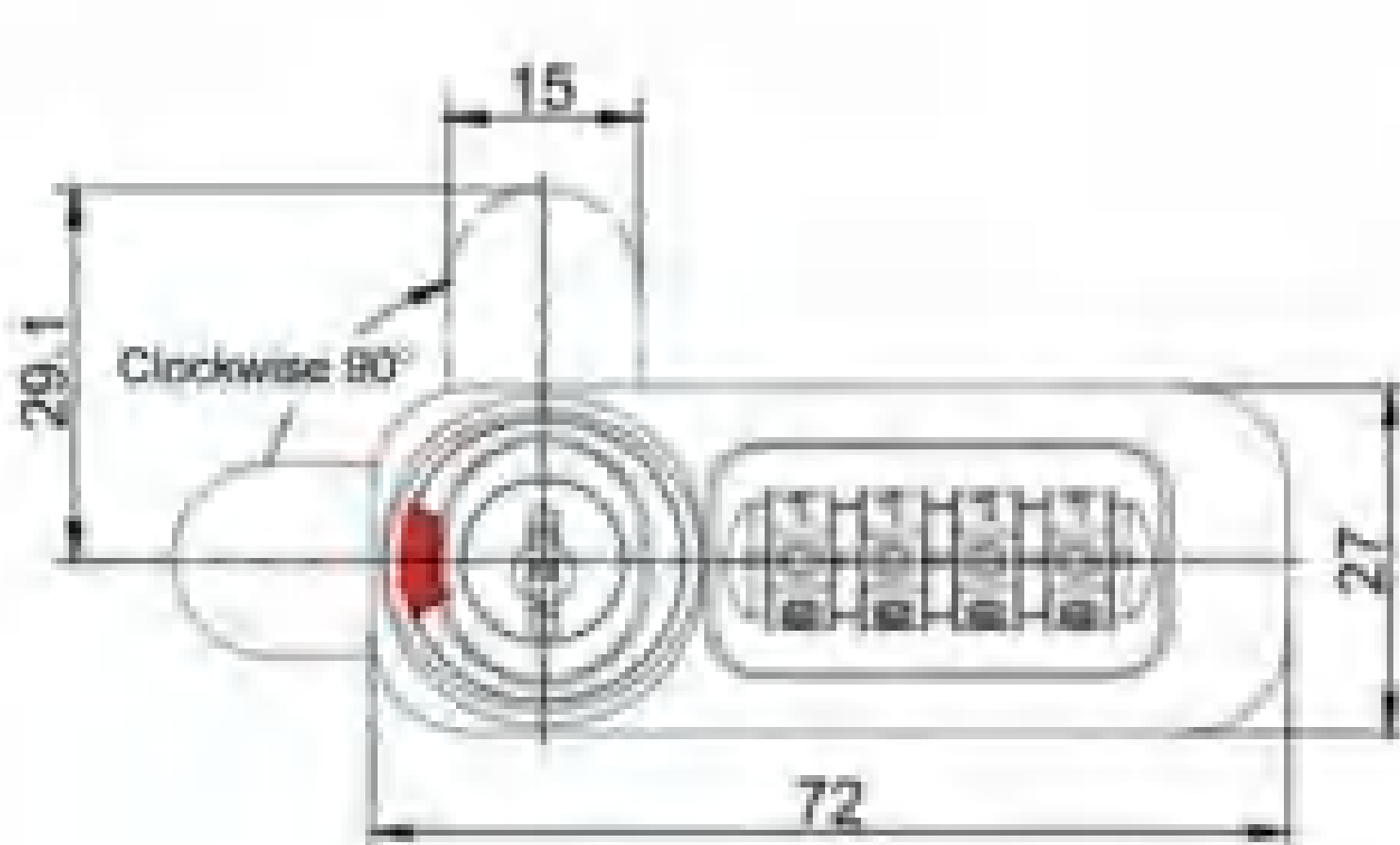
Old Version

Upgrade Version



plastic part easy to crack and open

change to metal **more safe**





RD-013

Round combination lock

Material: Zinc Alloy+ABS
 Size: 58*58mm
 Height: 20mm/26mm
 Weight: 110g/127g
 Color: Black+white
 Number: 4-digital

RD-011

Mailbox combination lock

Material: Zinc Alloy
 Size: 38*38mm
 Height: 20mm/30mm
 Weight: 20mm: 118g/30mm: 129g
 Color: Black, silver, gold, antique red
 Number: 3-digital



COMBINATION LOCK



RD-051

Combination latch lock

Material: Zinc alloy
Size: 121*48*40mm
Weight: 278g
Color: Black, Silver
Number: 4-digits



RD-062

Refrigerator combination lock

Material: plastic
Unlock Way: Password
Size: 78*37mm
Cable Length: 18cm
Weight: 70g
Color: Black; White





RD-110

Button password lock box

Material: Zinc alloy / pc environment
Size: 133*92*49mm
Color: Black
Used for: Indoor/Outdoor
Unlock Way: Key/Password



RD-108

Car window lock box

Material: Solid Cool-rolled steel
Size: 145*100*57mm
Weight: 850g
Surface Treatment: Black powder
Color: Black
Unlock Way: Combination

COMBINATION KEY LOCK BOX



BLACK

GREY

RD-092

Waterproof key lock box
key&password unlock

Material:Aluminum Alloy
Size:130*85*55mm
Weight:750g
Color:Black,Grey
Unlock Way:Key,Combination



RD-053

Combination key lock box

Material:Aluminum Alloy
Size:117*82*37mm
Inner size:98*78*45mm
Weight:900g
Number:4 digital
Storage capacity:5 keys<90mm
Password/key open



Emergency key

RD-089

Combination key lock box

Material:Zinc alloy /pc environment
Size:133*92*49mm
Color:Black
Used for:Indoor/Outdoor
Unlock Way:Key/Password



Removable waterproof cover

RD-054

Waterproof key lock box

Material: Aluminium Alloy
 Weight: 426g
 Size: 133*92*49mm
 Inner size: 111*80*22-40mm
 Color: Silver, Black
 Number: 4 digit
 Storage Capacity: 5 keys < 90mm



RD-115

Portable safe box

Material: ABS
 Size: 5.5"D x 9.4"W x 2.4"H
 Inner size: 4"D x 8"W x 1.6"H
 Weight: 640g
 Number: 4 digital



COMBINATION KEY LOCK BOX



KCL-002

Password key box

Material:Iron
Weight:1450g
Size:240*300*75mm
Number:3 digital
Color:Black
capacity:45 keys



RLP-086

Flower pot diversion key lock box

Material:plastic+metal
Unlock Way:Key
Specification:

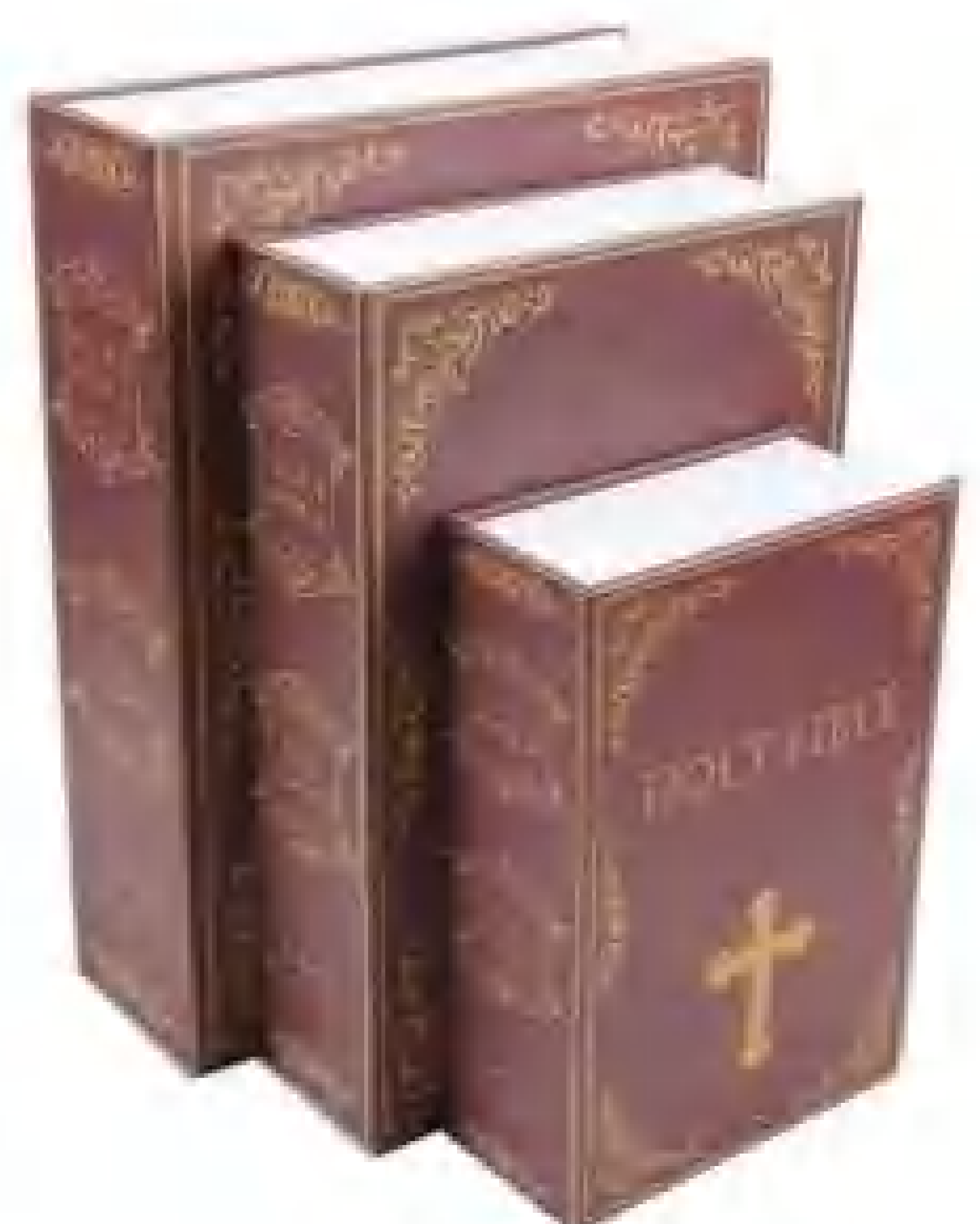
Style A:
16*12.5*11cm Weight:420g
Style B:
15*14*13cm Weight:460g
Color:Black,White, Yellow



RD-087

Simulation book box

Material:ABS
Unlock Way:Key/Combination
Specification:
Big Size:265*200*65mm Net Weight:1.3kg
Middle Size:240*155*55mm Net Weight:0.85kg
Small Size:180*115*55mm Net Weight:0.55kg



FIND A SAFE COMPANION FOR YOUR COMPUTER

RC-053

Keyed wire laptop lock

Material: Zinc Alloy

Weight: 170g

Color: Black

Surface treatment: Chrome, nickel plated

Cable Diameter: 5mm

Cable Length: 2000mm

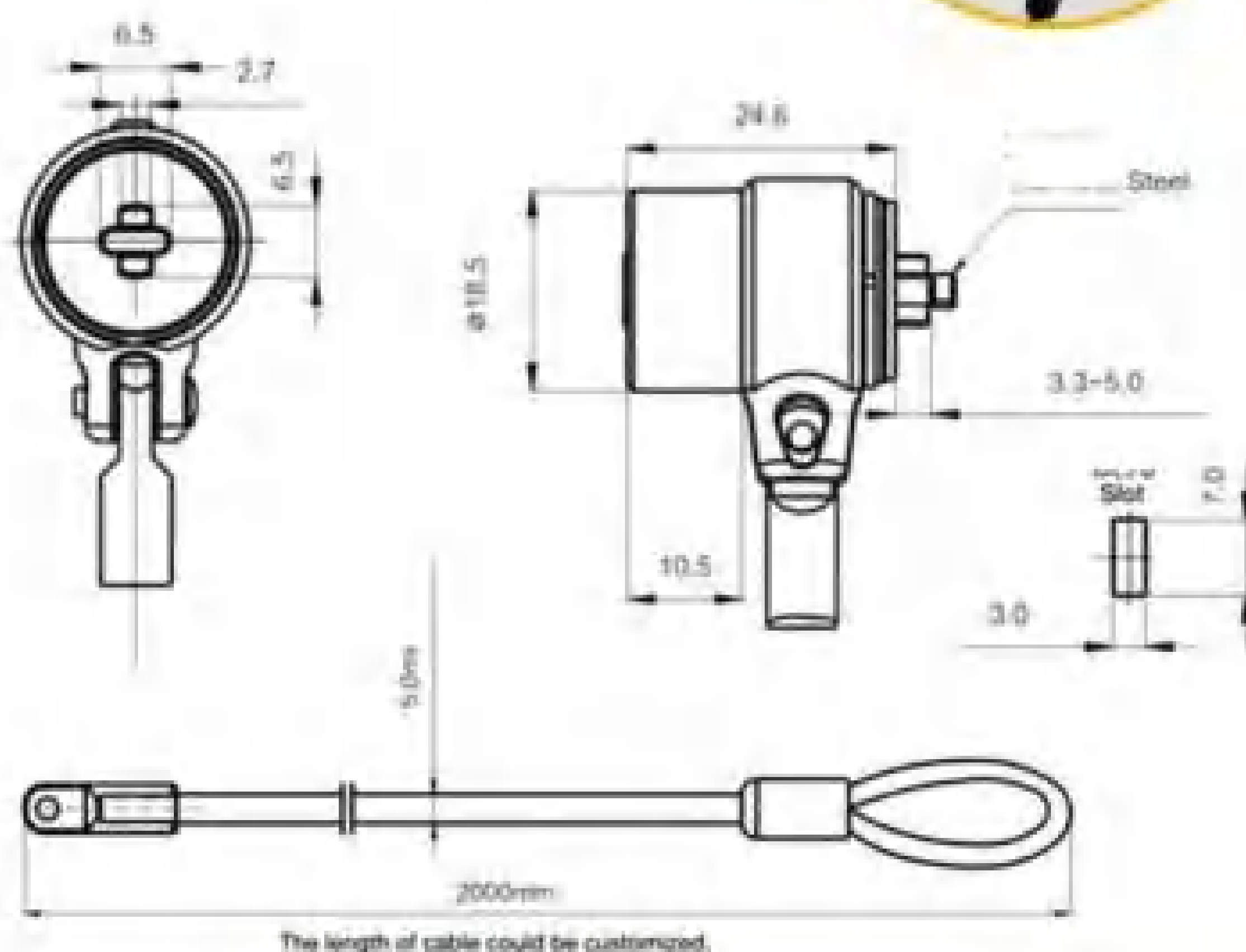


Packing available

Lock hole size: 3*7mm



Multiple colors available



LAPTOP LOCKS



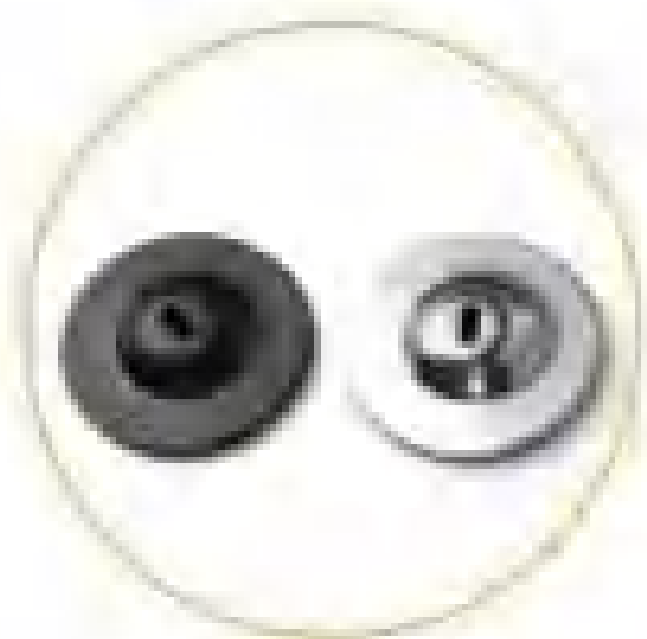
RC-052

Spring coiled cable laptop lock

Material: Zinc Alloy
Weight: 120g
Cable Diameter: 3mm
Cable Length: 1600mm
Color: Black



Lock hole size: 3*7mm



Available in silver and black bases with 3M sticker



Cut-resistant twisted steel with PVC coat



Patented Hidden Pin Technology





RC-105

Dual head cable keyed laptop lock

Material: Zinc Alloy
Weight: 200g
Cable Diameter: 5mm
Cable length: 1900mm
Color: Black

- Lock hole size: 3*7mm

- Double-headed design locks two things
- Multi-purpose use
- New style and easy to use



RC-108

Nano key laptop lock

Material: Zinc Alloy
Weight: 120g
Cable Diameter: 5mm
Cable length: 1800mm
Color: Black



- Lock hole size: 2.5*6mm



RC-055

4 Digital password laptop lock

4 Digital password laptop lock
Material: Zinc Alloy
Weight: 180g
Color: Black
Cable Diameter: 5mm
Cable Length: 1900mm

- The password wheel moves smoothly
- Made of high quality materials with good fit and finish.
- High safety factor

- Lock hole size: 3*7mm

RC-099

USB 4 digital laptop lock

USB 4 digital laptop lock
Material: Zinc Alloy
Weight: 120g
Color: Black
Cable Diameter: 5mm
Cable Length: 1900mm

- Lock hole size:
(3 models)



3*5mm



2.5*6mm



5*12mm (USB)



RC-102

4 Digital combination laptop lock

360° rotatable clamp lock
Aluminum alloy joint
Material: Zinc Alloy
Weight: 120g
Color: Black
Cable Diameter: 5mm
Cable length: 1900mm



• Lock hole size:
6*2.5mm



RC-103

Wedge laptop lock

360° Rotatable lock
Material: Zinc Alloy
Weight: 137.1g
Color: Black
Cable Diameter: 6mm
Cable Length: 1800/2000mm
Dials: 4 number

• Lock hole size: 3*7mm





RH-107

Fingerprint safe lock

Material: ABS
Size: 215*104*13mm
Weight: 215.5g
Color: Black+Silver
Key Type: digital+Fingerprint

- Surface print: Industrial grade spraying and high-end U.V technology
- Mainly material of safe lock is industrial grade ABS, the semiconductor sensor improves the pass rate of fingerprint recognition;
- The password input is opened with an interference code input to protect the privacy of the password;
- Standard WIFI/APP extension function.





RH-105

Combination safe lock

Size:198*93*20mm

Weight:160.4g

Color:silver

Material:ABS

Key Type:digital

- surface print:Industrial grade spraying and high-end U.V technology
Mainly material of safe lock is industrial grade ABS .



RH-110

Fingerprint combination safe lock

Size:200mm*100mm

Weight:157g

Color:black and golden

Material:ABS

Key Type:digital+Fingerprint

- The password input is opened with an interference code input to protect the privacy of the password





RH-114

Fingerprint digital safe lock

Material:ABS
Weight:210g
Size:232*91mm
Color:Black
Key Type:digital+Fingerprint

- Product Features:Standard WIFI/APP extension function.The undervoltage reminder function tells the user to replace the battery in time.

RH-119

Fingerprint combination safe lock

Material:ABS
Weight:177g
Size:10.4*10.4mm
Color:Black
Key Type:digital+Fingerprint

- Product Features:
The semiconductor sensor improves the pass rate of fingerprint recognition.
The password input is opened with an interference code input to protect the privacy of the password.



RH-113

Combination digital safe lock

Material:ABS
Weight:110.9g
Size:204*91*11mm
Color:Grey,Black
Key Type:digital

- Surface print:Industrial grade spraying and high-end U.V technology
Mainly material of safe lock is industrial grade ABS .



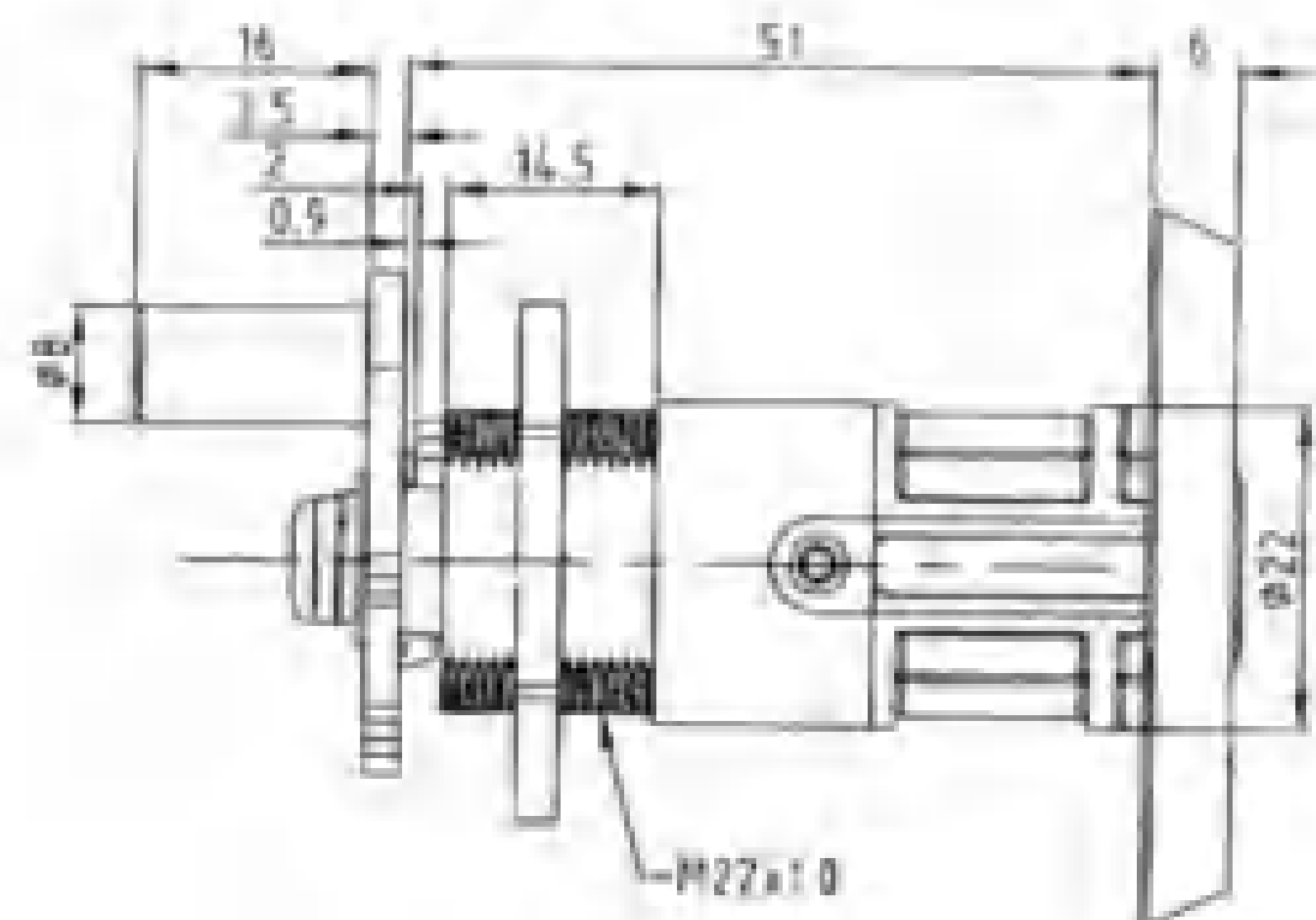
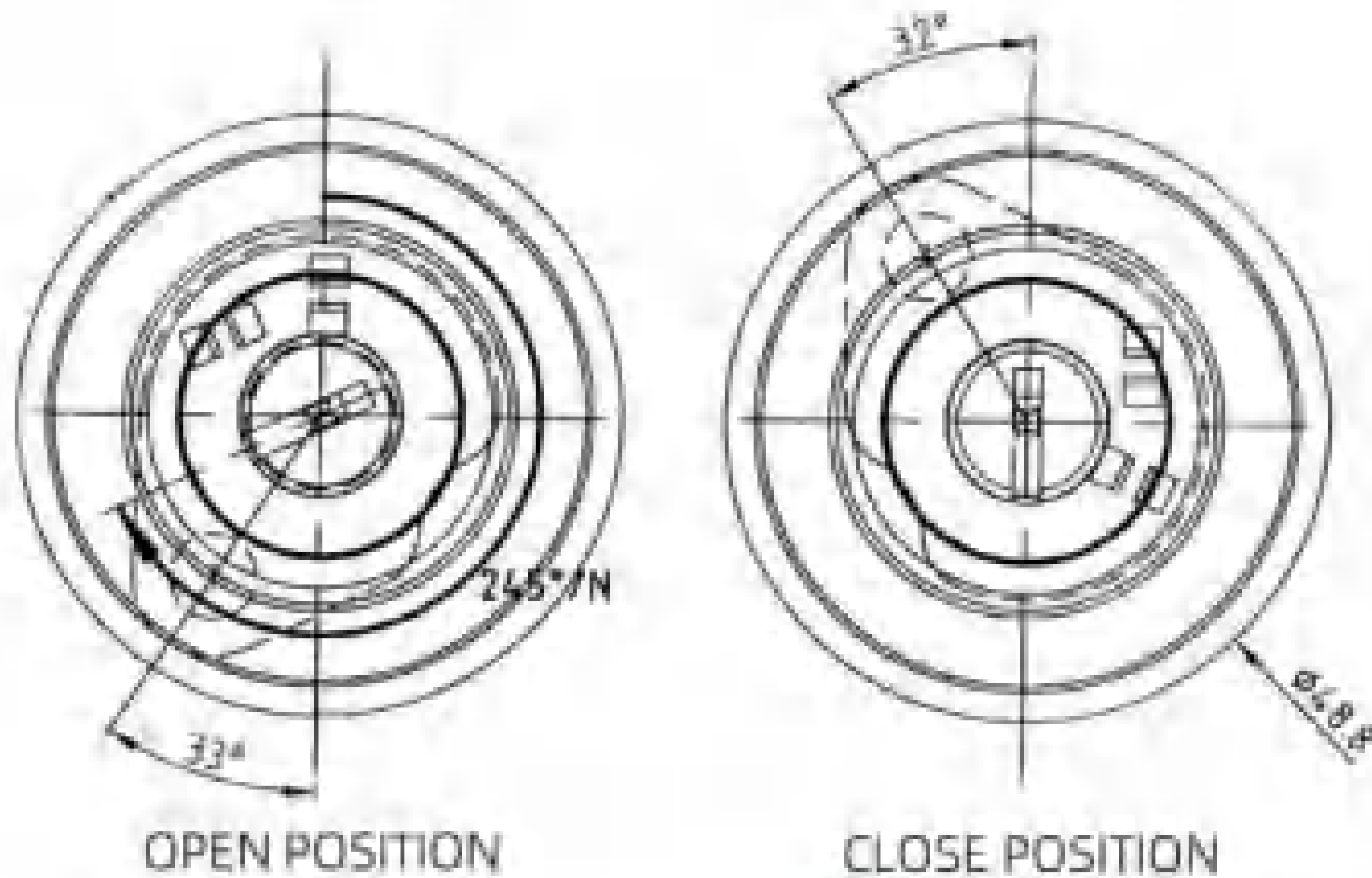
RH-104

Key lock

Size:47*47*60mm
 Weight:87g
 Color:silver chrome
 Zinc alloy +aluminum alloy ,new design of the keys
 Mirror polishing of lock face.



Two types of locking plates



RH-101

Key lock

Size:22*22*75mm
 Weight:171g
 Color:silver

Full brass cylinder and keys.
 Enough materials to make the entire product more secure.
 All in chrome plated



RH-100

Key lock

Size:38*38*45mm
 Weight:167g
 Color:silver
 Zinc alloy safe lock ,with dust cover
 Mirror polishing of lock face.



BIKE FRAME LOCK



Provide safety protection for your bicycle



RBL-502

Specification: 160*120*40mm
Carton size: 36*27*25cm/10pcs
Package: Brown box
G.W: 16.5kgs
N.W: 15.5kgs

- excellent workmanship
- removable holder, easy to carry
- The thickened material key, sturdy and durable
Environmentally-friendly soft silicone sleeve, odorless, effectively reducing surface scratches
- 100% metal material locking ring, Extra high security
- Applicable to scooters, motorcycles, bicycles, etc.
Cut resistant, Anti prying,



RBL-520

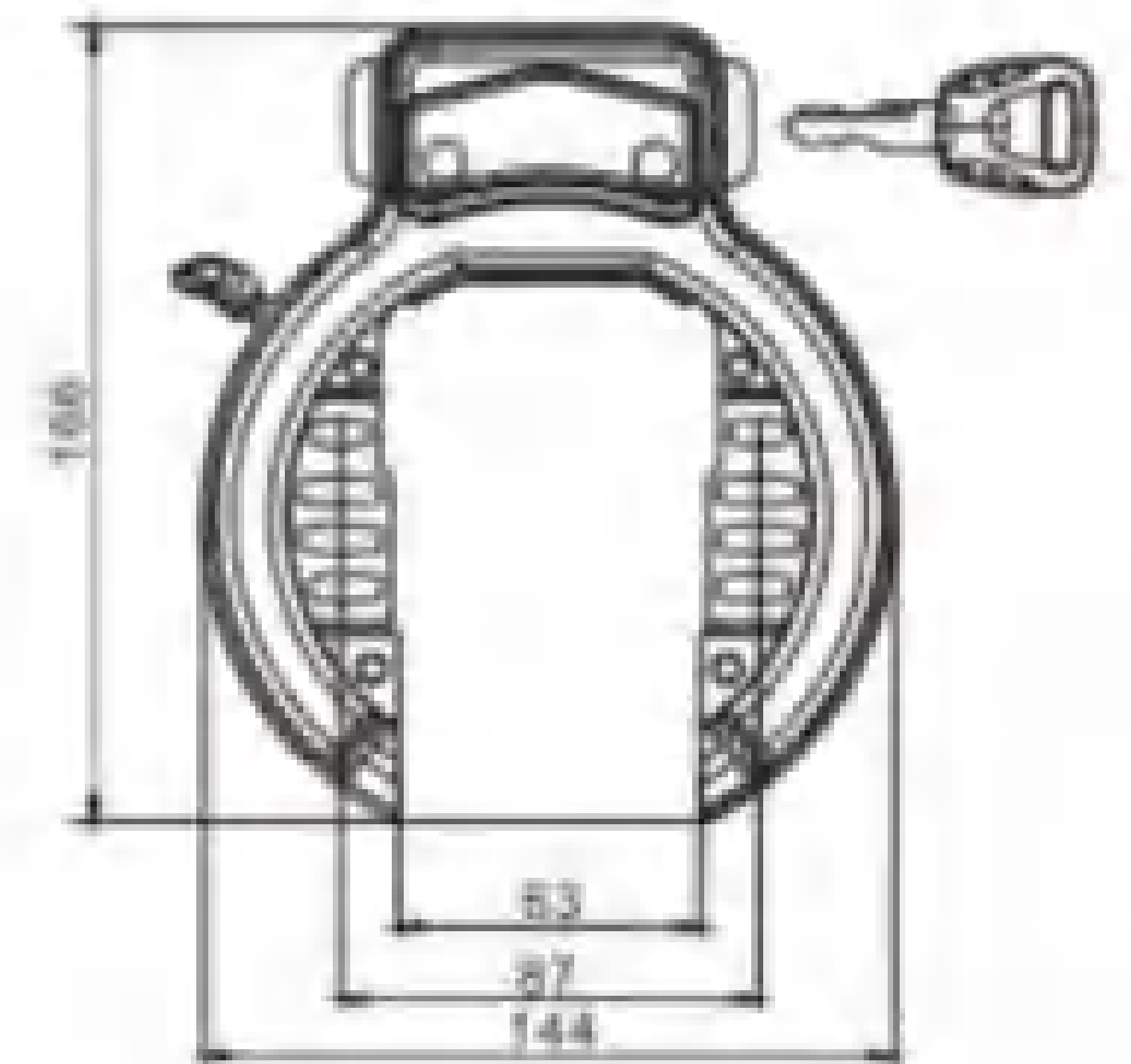
Material: A3 steel+ABS
 Cable length:1000mm
 Cable diameter:8mm
 Weight:714g



RBL-524

Carton size:510*220*390mm
 Package:Polybag With headcand
 G.W:15kgs
 N.W:13kgs

- MODERN DESIGN
- HIGH SECURITY
- SPECIAL STRONG SHACKLE IMPACT-RESISTANT
- STRONG LOCK BODY PROTECTS THE LOCKING MECHANISM
- WITH DUST CAP



RBL-501

Specification:165*140mm
 Carton size:31*24,5*28.5cm/24pcs
 Package:PE bag
 G.W:12.5kgs
 N.W:12kgs



RBL-506

Specification:5.5*1000mm
 Carton size:35*34*29.5cm/20pcs
 Package:PVC bag
 G.W:23kgs
 N.W:22kgs

FOLDING BIKE LOCK

Provide safety protection
for your bicycle



RBL-407

Material:A3 Steel+Plastic

Size:8*1100mm

Weight:1120g

Color:Black

Package: Color box

Unlock Way:Key

- Price/Performance
- High quality and safe
- Easy to use
- Robust construction
- Compact and flexible
- Extremely Length fit 3 bicycles





Multiple color schemes

RBL-401

Material:A3 Steel+Plastic
Size:5*780mm
Weight:615g
Color:Black
Unlock Way:Key

RBL-402

Material:A3 Steel+Plastic
Size:120mmx60mmx52mm
Weight:760g
Color:Black
Package: Color box
Unlock Way:Key



Multiple color schemes



RBL-404

Material:A3 Steel+Plastic
Size:170*25*50mm
Weight:730g
Color:Black
Package: Color box
Unlock Way:Key



RBL-405

Material:A3 Steel+Plastic
Size:120mmx60mmx52mm
Weight:760g
Color:Black
Package: Color box
Unlock Way:Combination



FOLDING BIKE LOCK

RBL-406

Material:A3 Steel+Plastic
Size:6*850mm
Weight:860.5g
Color:Black
Package: Color box
Unlock Way:Key



RBL-407

Material:A3 Steel+Plastic
Size:8*1100mm
Weight:1120g
Color:Black
Package: Color box
Unlock Way:Key



RBL-412

Material:A3 Steel+Plastic
Size:11*850mm
Weight:1560g
Color:Black
Package: Color box
Unlock Way:Key



RBL-413

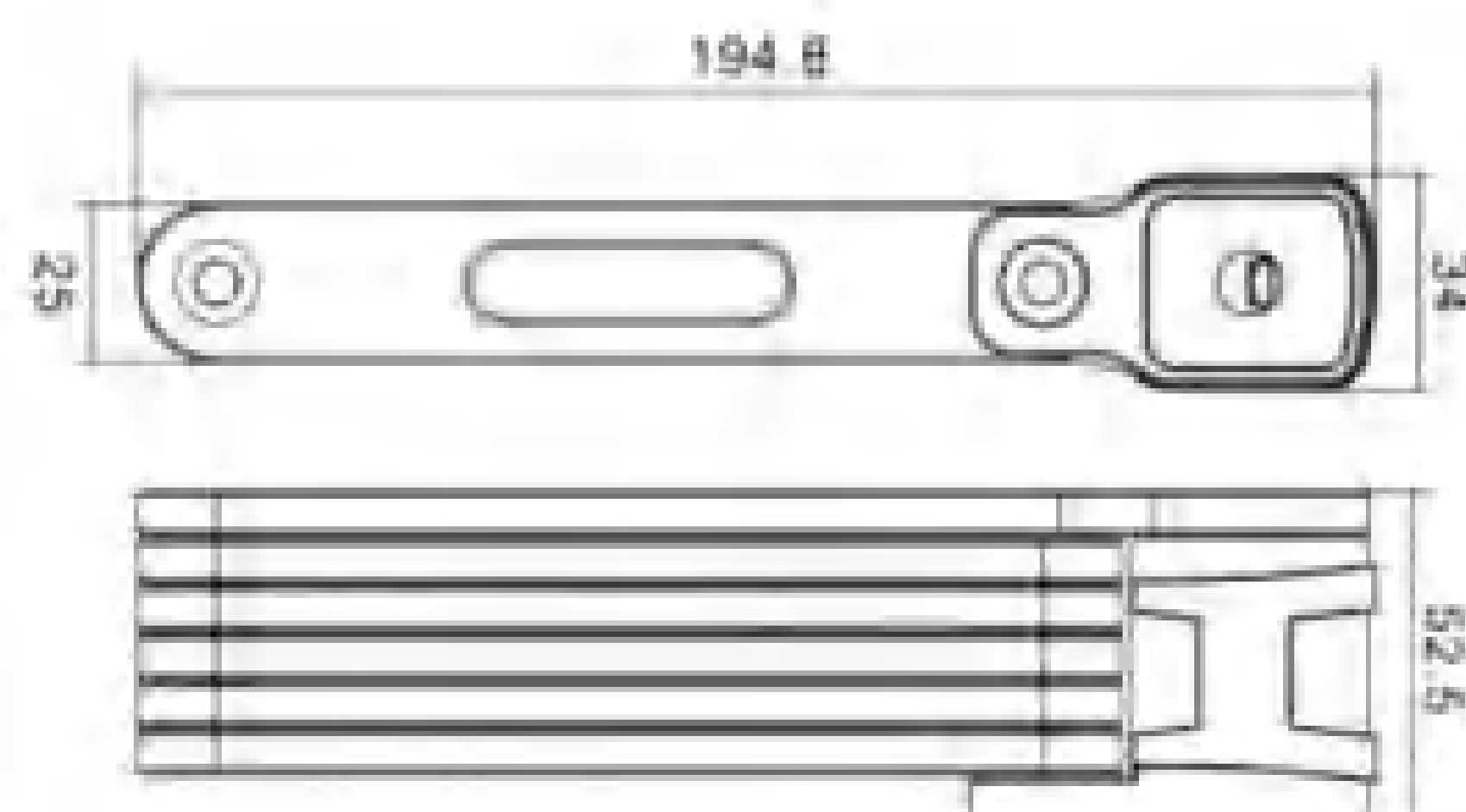
Material:A3 Steel+Plastic
Size:620mm
Weight:600g
Color:Black
Package: Color box
Unlock Way:Combination



RBL-415

Material:A3 Steel+Plastic
Size:900mm
Weight:833.5g
Color:Black
Package: Color box
Unlock Way:Key

- Stainless steel lock cylinder
- High strength alloy steel for lock head
- 20Cr alloy steel can make 16t hydraulic shear
- 402 stainless steel rivet
- Length 90cm





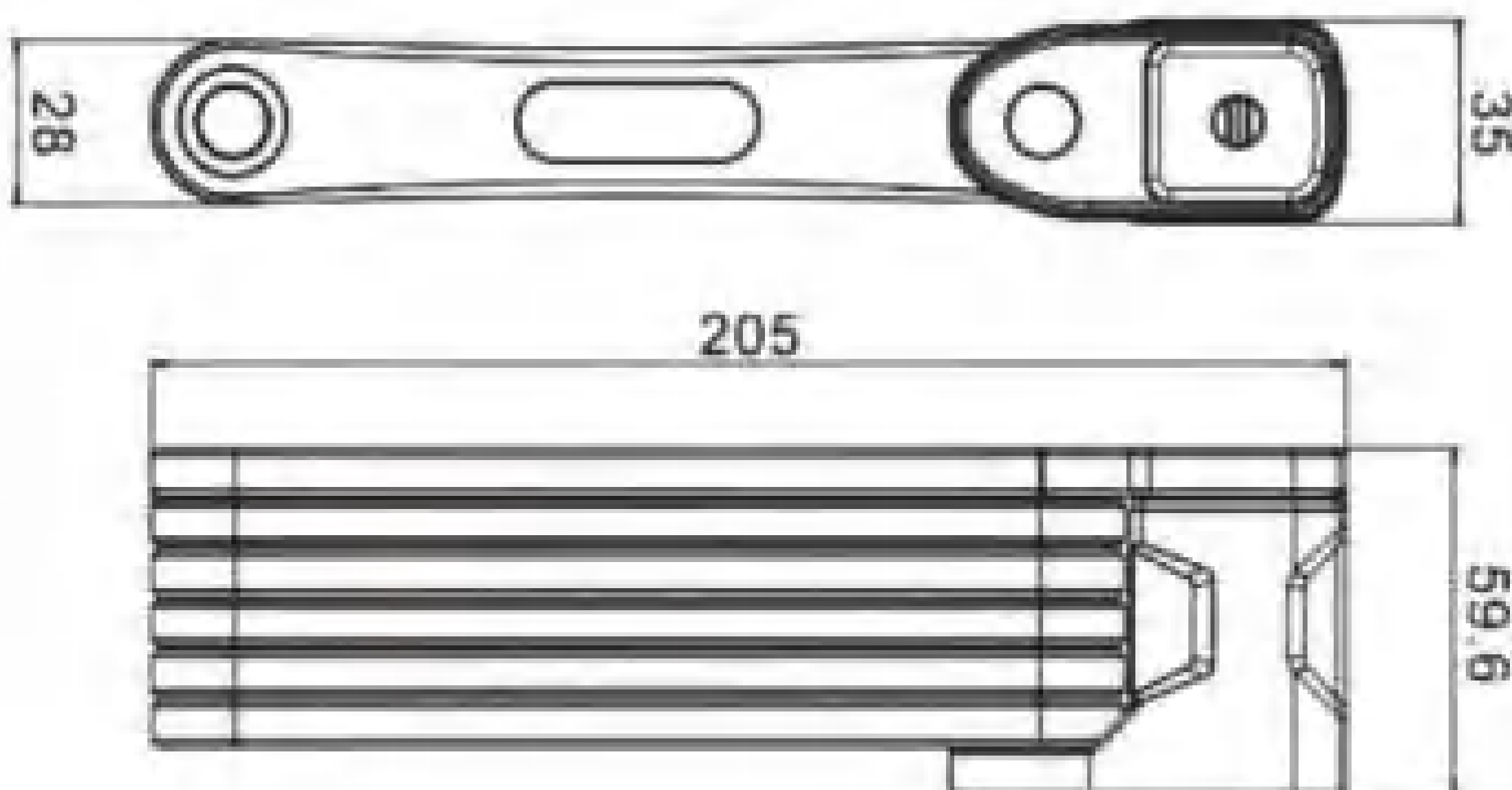
RBL-414

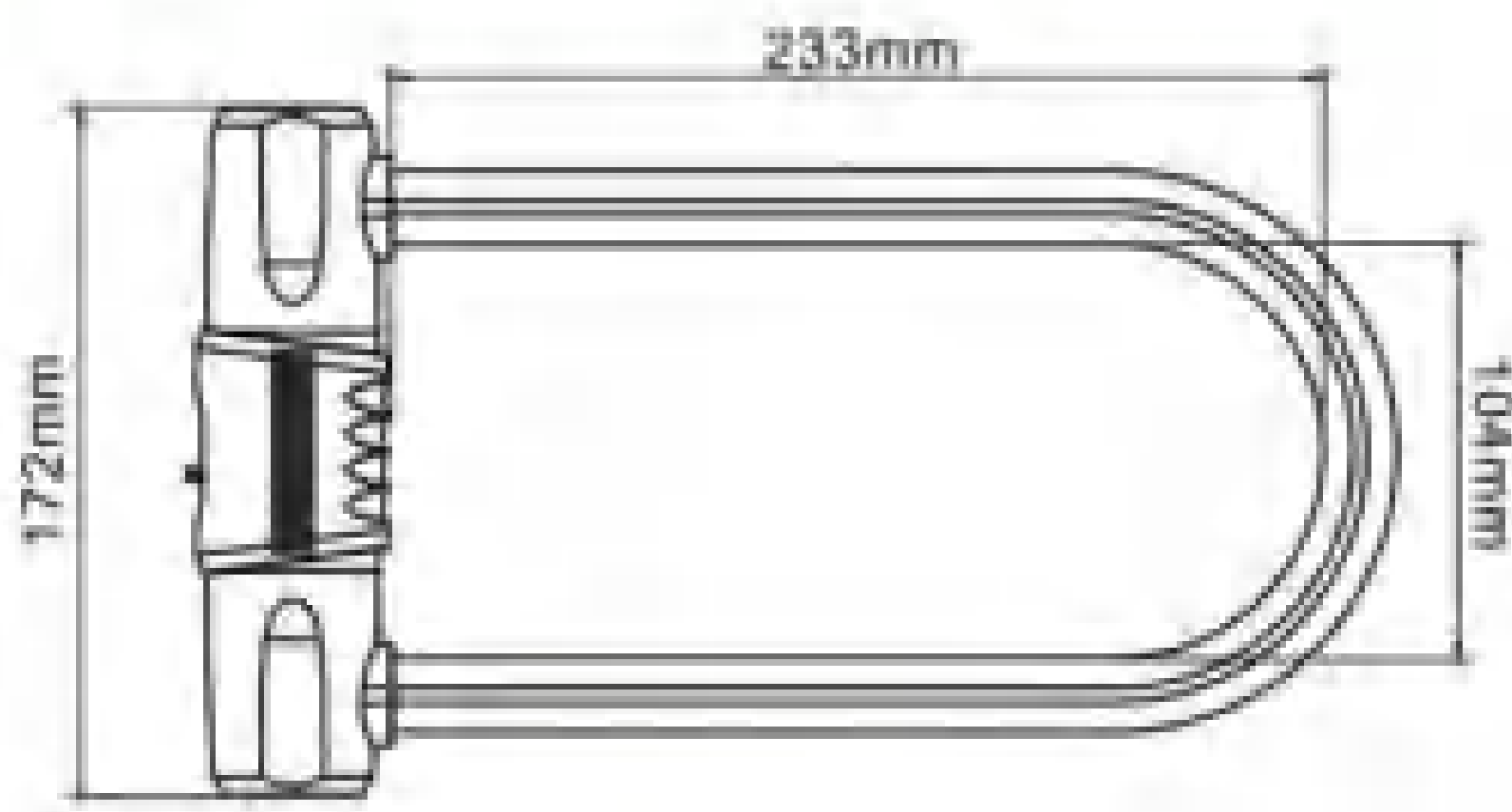
Material:A3 Steel+Plastic
 Size:650mm
 Weight:560g
 Color:Black
 Package: Color box
 Unlock Way:Key

RBL-416

Material:A3 Steel+Plastic
 Size:900mm
 Weight:1400g
 Color:Black
 Package: Color box
 Unlock Way:Key

- Stainless steel lock cylinder
- High strength alloy steel for lock head
- 20Cr alloy steel can make 1 6t hydraulic shear
- 402 stainless steel rivet
- Length 90cm





RBL-103

Specification: 170*270mm
Carton size: 350*250*265mm
Color: Black
Package: Sleeve card
G.W: 15kgs
N.W: 14kgs



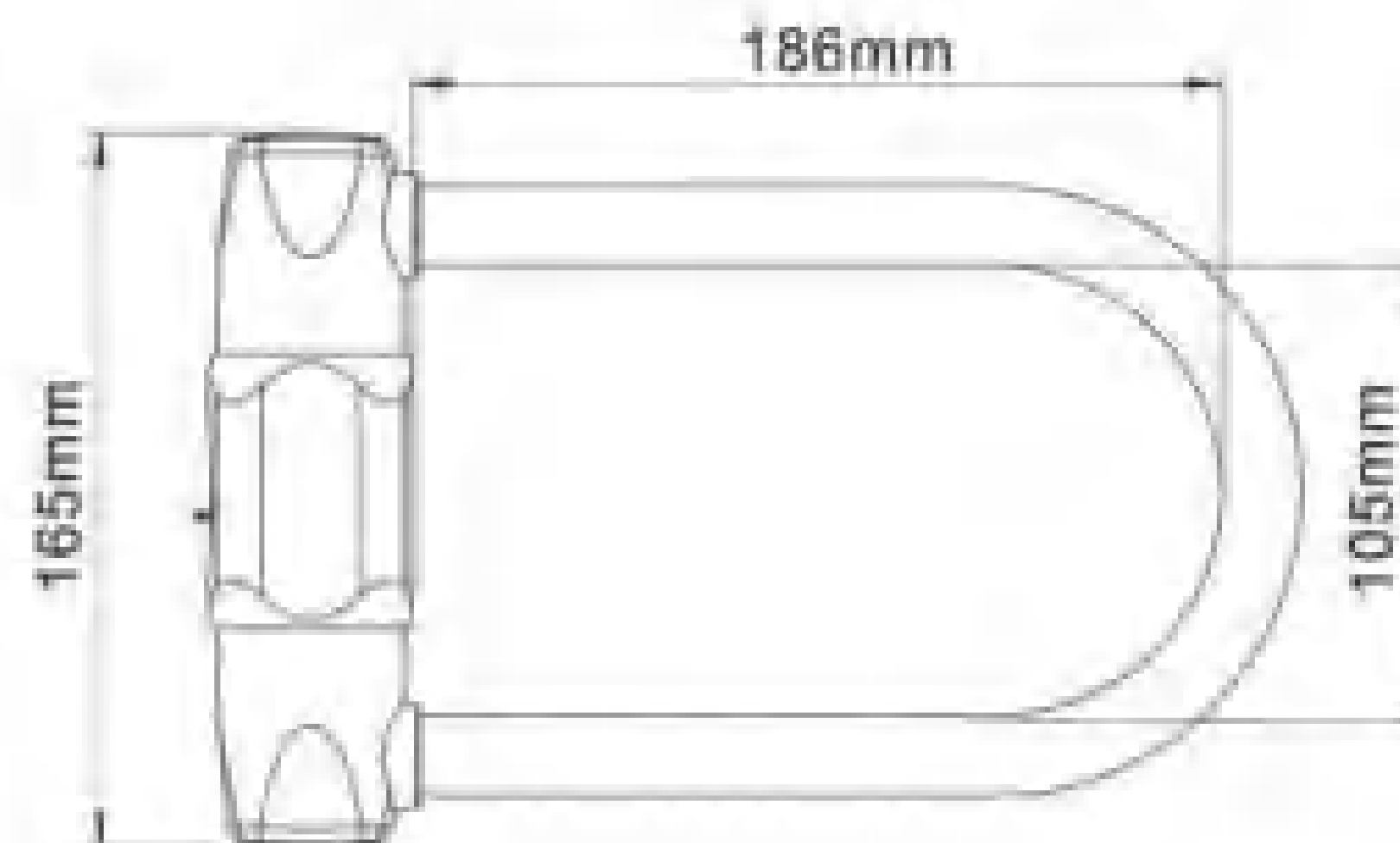
- High security level
- Precision lock cylinder tamper-proof anti-pick protection
- Special hardened steel shackle covered with plastic tube
- Strong lock body protects the locking mechanism
- With dust cap



RBL-105

Specification: 165*250mm
Carton size: 350*250*265mm
Package: Sleeve card
G.W: 15kgs
N.W: 14kgs

- High security level
- Precision lock cylinder tamper-proof anti-pick protection
- Special hardened steel shackle covered with plastic tube
- Strong lock body protects the locking mechanism
- With dust cap





RBL-102

Material: Silicone
 Size: $\phi 14 \times 120 \times 175$ mm
 Weight: 390g



- High security level
- Precision lock cylinder tamper-proof anti-pick protection
 Special hardened steel shackle covered with plastic tube
- Strong lock body protects the locking mechanism



Purple

Red

Orange

Green

Navy



Navy

Cream

Fluorescent Green

Dusty Pink

Haze Blue



RBL-101

Material: Silicone
 Size: $\phi 14 \times 120 \times 175$ mm
 Weight: 390g



BIKE U SHACKLE LOCK



RBL-111

Specification: 88*91mm
Carton size: 55*27.5*36cm/36pcs
Package: Double blister
G.W: 22kgs
N.W: 21kgs



RBL-112

Specification: 100*100mm
Carton size: 55*27.5*36cm/36pcs
Package: Double blister
G.W: 22kgs
N.W: 21kgs



RBL-110

Specification: 100*100mm
Carton size: 55*27.5*36cm/36pcs
Package: Double blister
G.W: 24kgs
N.W: 23kgs



RBL-109

Specification: 110*115mm
Carton size:
370*210*230mm/36pcs
Package: Double blister
G.W: 13.5kgs
N.W: 12kgs



RBL-114

Specification: 140*200*40mm
Carton size: 36*30*34cm/12pcs
Color: Black, red, green, grey, orange
Package: Sleeve card
G.W: 13kgs
N.W: 12kgs

- Red
- Orange
- Green
- Grey
- Black



RBL-113

Specification: 140*200*40mm
Carton size: 36*30*34cm/12pcs
Color: Black, red, green, grey, orange
Package: Sleeve card
G.W: 13kgs
N.W: 12kgs

- Red
- Orange
- Green
- Grey
- Black



RBL-2117

- Red
- Yellow
- Plum
- Purple
- Black
- White

Specification: $\Phi 10 \times 400\text{mm}$
 Carton size: $44.5 \times 25 \times 25.5\text{cm}$ /60pcs
 Package: Poly bag with headcard
 G.W: 20kgs
 N.W: 18kgs



RBL-283

- Plum
- Yellow
- Green
- Blue
- Black

Specification: $\Phi 12 \times 600\text{mm}$
 Carton size: $43 \times 31 \times 28.5\text{cm}$
 Package: Bound card
 G.W: 18.5kgs
 N.W: 17.5kgs



RBL-2119

- Red
- Plum
- Yellow
- Green
- Blue
- Black
- Coffee

Specification: $\Phi 10 \times 500\text{mm}$
 Carton size: $44.5 \times 25 \times 25.5\text{cm}$ /60pcs
 Package: Poly bag with headcard
 G.W: 20kgs
 N.W: 18kgs



RBL-2112

- Red
- Plum
- Blue
- Black

Specification: $\Phi 10 \times 500\text{mm}$
 Carton size: $44.5 \times 25 \times 25.5\text{cm}$ /60pcs
 Package: Poly bag with headcard
 G.W: 20kgs
 N.W: 18kgs



RBL-203

Specification: $\Phi 8 \times 650\text{mm}$
 Carton size: $44.5 \times 25 \times 25.5\text{cm}$ /60pcs
 Package: Poly bag with headcard
 G.W: 20kgs
 N.W: 18kgs

Specification: $\Phi 10 \times 650\text{mm}$
 Carton size: $44.5 \times 25 \times 25.5\text{cm}$ /60pcs
 Package: Poly bag with headcard
 G.W: 20kgs
 N.W: 18kgs

Specification: $\Phi 12 \times 800\text{mm}$
 Carton size: $48.5 \times 29 \times 29.5\text{cm}$ /60pcs
 Package: Poly bag with headcard
 G.W: 24kgs
 N.W: 22kgs

- Red
- Yellow
- Green
- Purple
- Black
- White
- Pink
- Orange
- Blue



BIKE CABLE LOCK



RBL-301

Specification: $\Phi 7 * 1200\text{mm}$
Carton size: $45 * 24.5 * 28.5\text{cm} / 24\text{pcs}$
Package: Sleeve card
G.W: 18kgs
N.W: 17kgs



RBL-304

Specification: $\Phi 6 * 900\text{mm}$
Carton size: $33 * 26 * 23\text{cm} / 20\text{pcs}$
Package: Sleeve card
G.W: 18.2kgs
N.W: 17.2kgs



RBL-233

Specification: $\Phi 22 * 1000\text{mm}$
Carton size:
 $35 * 20 * 34.5\text{cm} / 24\text{pcs}$
Package: Bound card
G.W: 13kgs
N.W: 12kgs



RBL-235

Specification: $\Phi 6 * 900\text{mm}$
Carton size:
 $45 * 24.5 * 28.5\text{cm} / 24\text{pcs}$
Package: Double blister card
G.W: 20kgs
N.W: 19kgs

Specification: $\Phi 6 * 1200\text{mm}$
Carton size: $55 * 28 * 25.5\text{cm} / 18\text{pcs}$
Package: Double blister card
G.W: 22kgs
N.W: 21kgs



RBL-305

Specification: $\Phi 6 * 900\text{mm}$
Carton size: $33 * 26 * 23\text{cm} / 20\text{pcs}$
Package: Sleeve card
G.W: 18.2kgs
N.W: 17.2kgs



RBL-306

Specification: $\Phi 8 * 900\text{mm}$
Carton size:
 $33 * 26 * 23\text{cm} / 20\text{pcs}$
Package: Sleeve card
G.W: 18.2kgs
N.W: 17.2kgs



RC-035

Trailer hitch lock

Material: Zinc Alloy
 Size: 46*40.9*23mm
 Surface Treatment: Painted
 Weight: 160g
 Diameter: 1/4 inch
 Color: Black, Golden

- Easily Installation:**
 Spinning the flat key 5-7 times to open or close the hitch lock.
- High-Quality Material:**
 Be coated with black electrophoretic paint to prevent corrosion, and is protected from the elements with its black painted finish, while the coupler pin is shielded against corrosion with a durable zinc plating.
- Quite Versatile:**
 Trailer coupler lock and lock pin are suit for boat, truck, Jeep or other locking application to prevent replace missing part and lock into position.



TRAILER LOCKS



Pure Copper crescent lock core and the brass keys ensure more convenient and smooth unlocking. The keys are not generic.



All-weather rubber cover protects your coupler lock cylinder away from rain, snow, dust, sand, and more.

RC-041 NEW

Universal coupler trailer lock

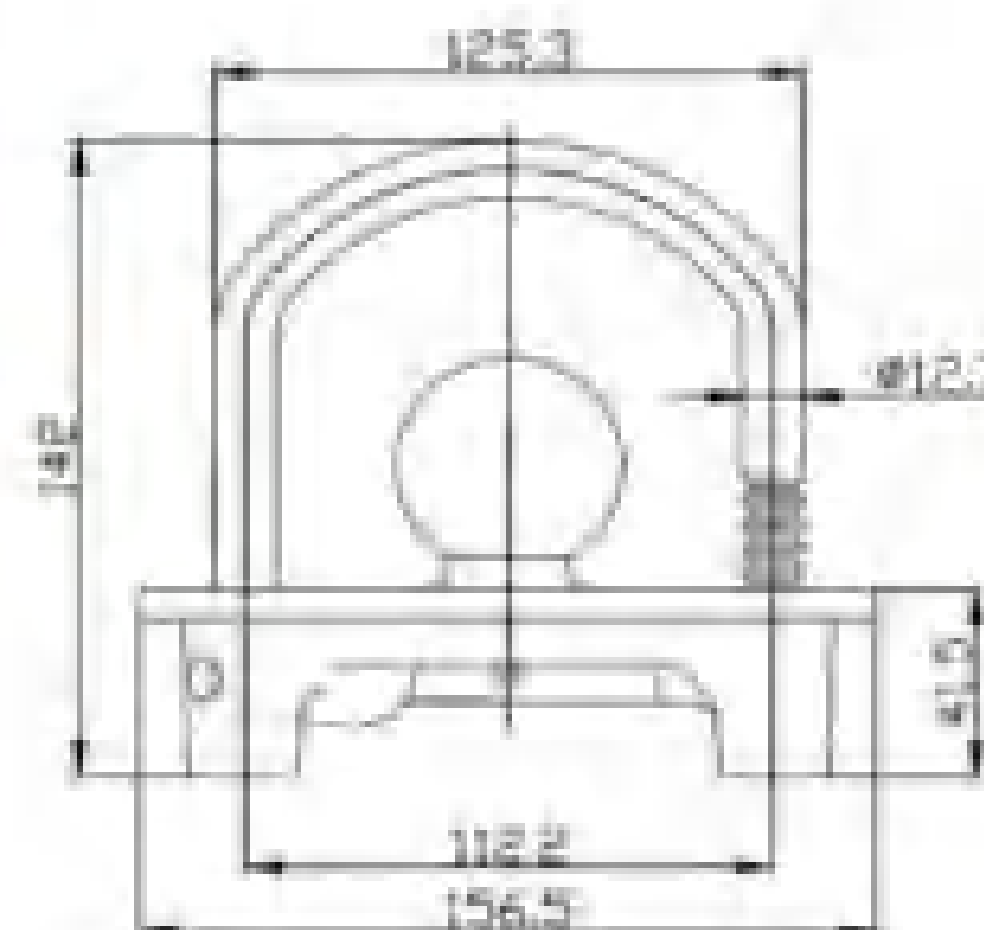
Material: Steel+brass key+zinc alloy cylinder
 Weight: 780g
 Size: 156*142mm
 Ball Diameter: 47mm
 Loading Capacity: 850kgs
 Ratchet design with 6-locking positions for versatility
 Fits 1-7/8", 2", and 2-5/16" couplers



RC-041

Universal coupler trailer lock

Material: Alloy+Steel+Brass Key
 Weight: 805g
 Size: 156*142mm
 Ball Diameter: 47mm
 Color: Yellow, Red, Blue, Black
 Loading Capacity: 850kgs
 Ratchet design with 6-locking positions for versatility
 Fits 1-7/8", 2", and 2-5/16" couplers





RC-038

Trailer hitch lock

Material: Carbon steel
Weight: 460g, 385g
Size: 5/8", 1/2"
Color: Chrome
Key type: Key alike, Key difference
Convenient push-button lock mechanism
Rubber cap keeps dirt out
For use on Class V receivers

RC-039

Trailer hitch lock

Material: Carbon Steel
Weight: 435g
Size: 5/8"
Surface treatment: Spray



RT-021

Trailer hitch lock

Material: Zinc Alloy
Weight: 391.8g
Size: 65.5*50mm
Color: Grey



RT-026

Trailer hitch coupler lock

Material: Brass
Weight: 159g
Size: 20*40*60mm
Color: Golden
Lock adjustment to 5/8" and 1"



RC-040

Trailer hitch lock

Material: Carbon steel
 Weight: 465g, 390g
 Size: 8/5", 1/2"
 Surface treatment: Chromium plating
 Key type: 2pcs tubular key

RT-035

Trailer hitch lock

Material: Carbon steel
 Weight: 425g
 Size: D=5/8" L=127mm 175*37*34mm
 Color: Chrome
 Key type: Key alike, Key difference



RT-010

Trailer hitch lock

Material: Cast iron
 Weight: 776g
 Size: 5/8", 3/4"
 Color: Black
 Key type: 2pcs tubular key





Kit 1
RT-101



Kit 2
RT-102

- Recommend trailer lock kit for you based on different usage functions
- Provide multiple safety protections for your vehicle
- We support you to freely combine the various types of trailer locks we have according to your actual needs.

RV DOOR LOCK

Provide safety protection for your RV

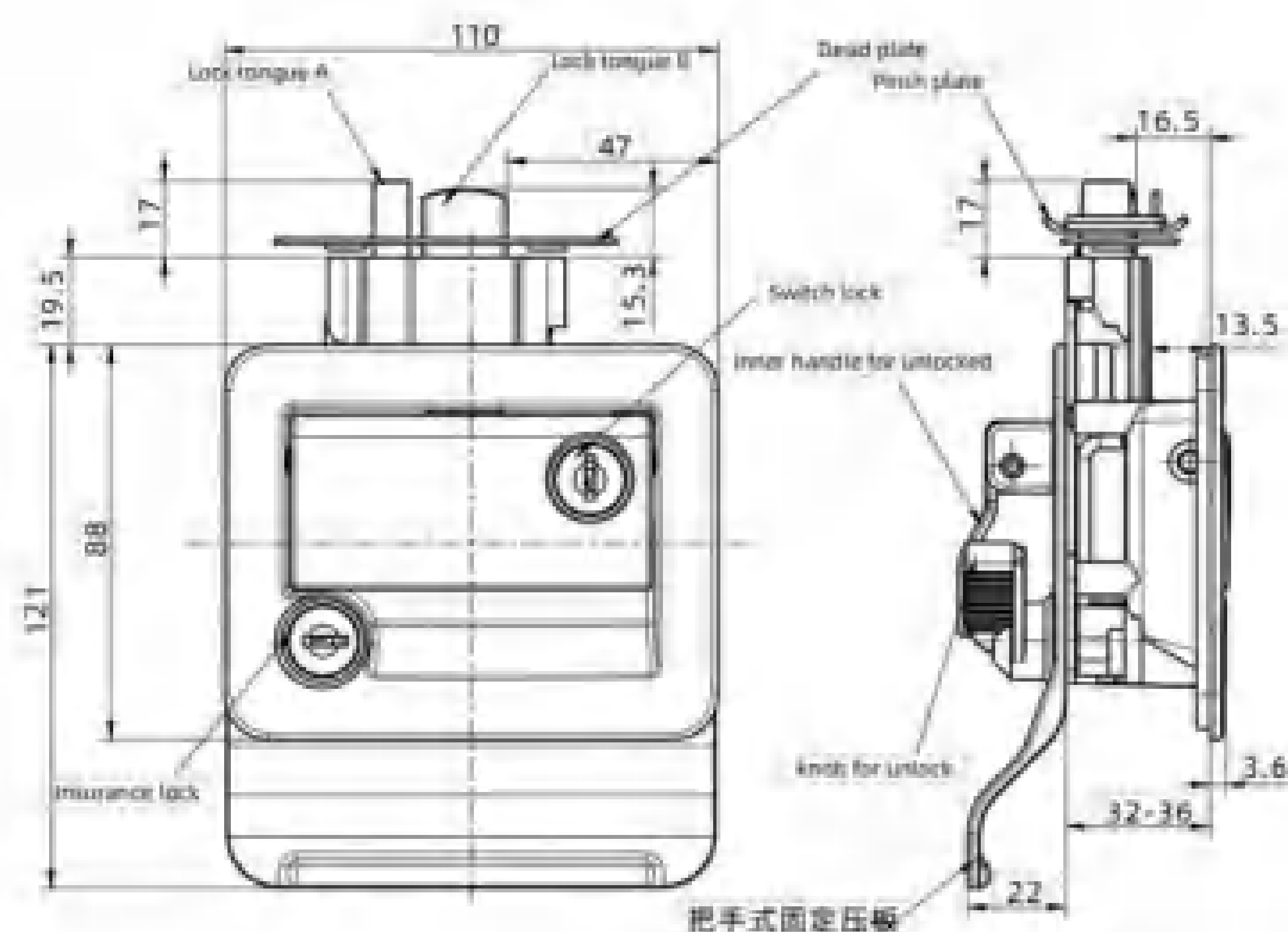
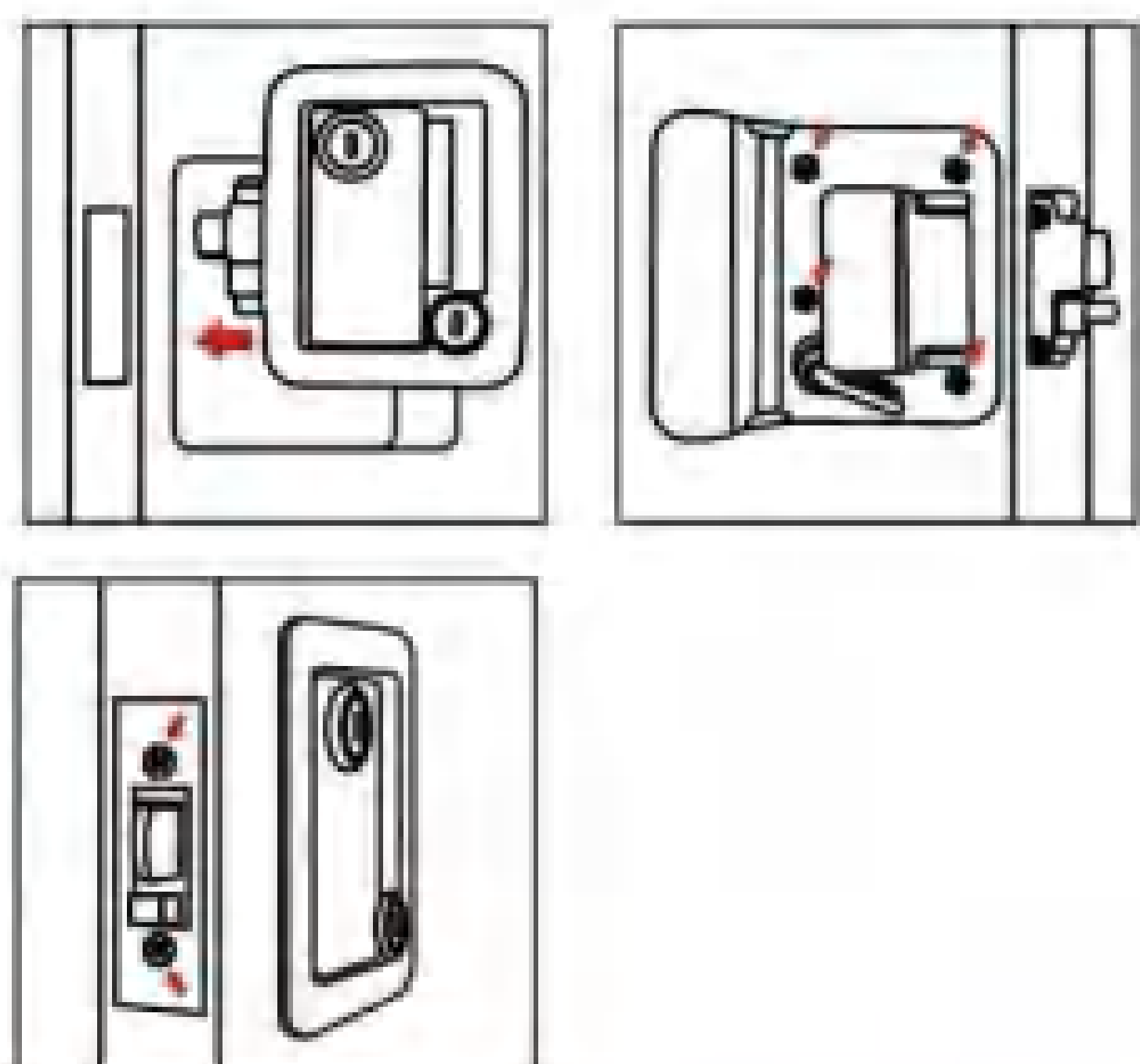
RV-100

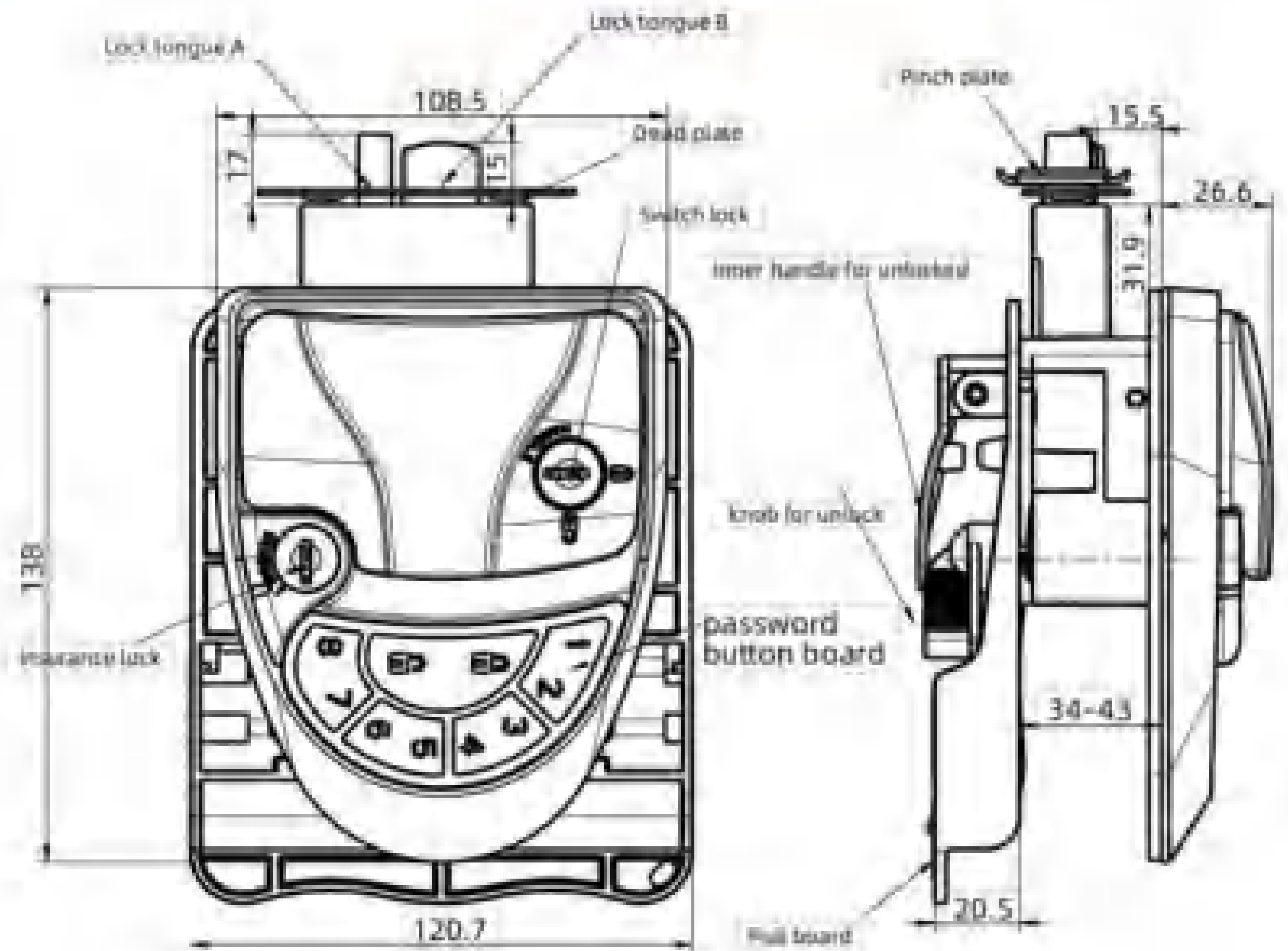
Embedded round handle pull ring slam latch lock

- Material: Zinc alloy lock body, Foam gasket
- Treatment: Black coated or chrome plated.
- Cut size: 68 * 92mm
- Door thicknesses: 32mm~38mm
- Shockproof structure to avoid loosening
- Lock cylinder detachable and replaceable



Locks Installed

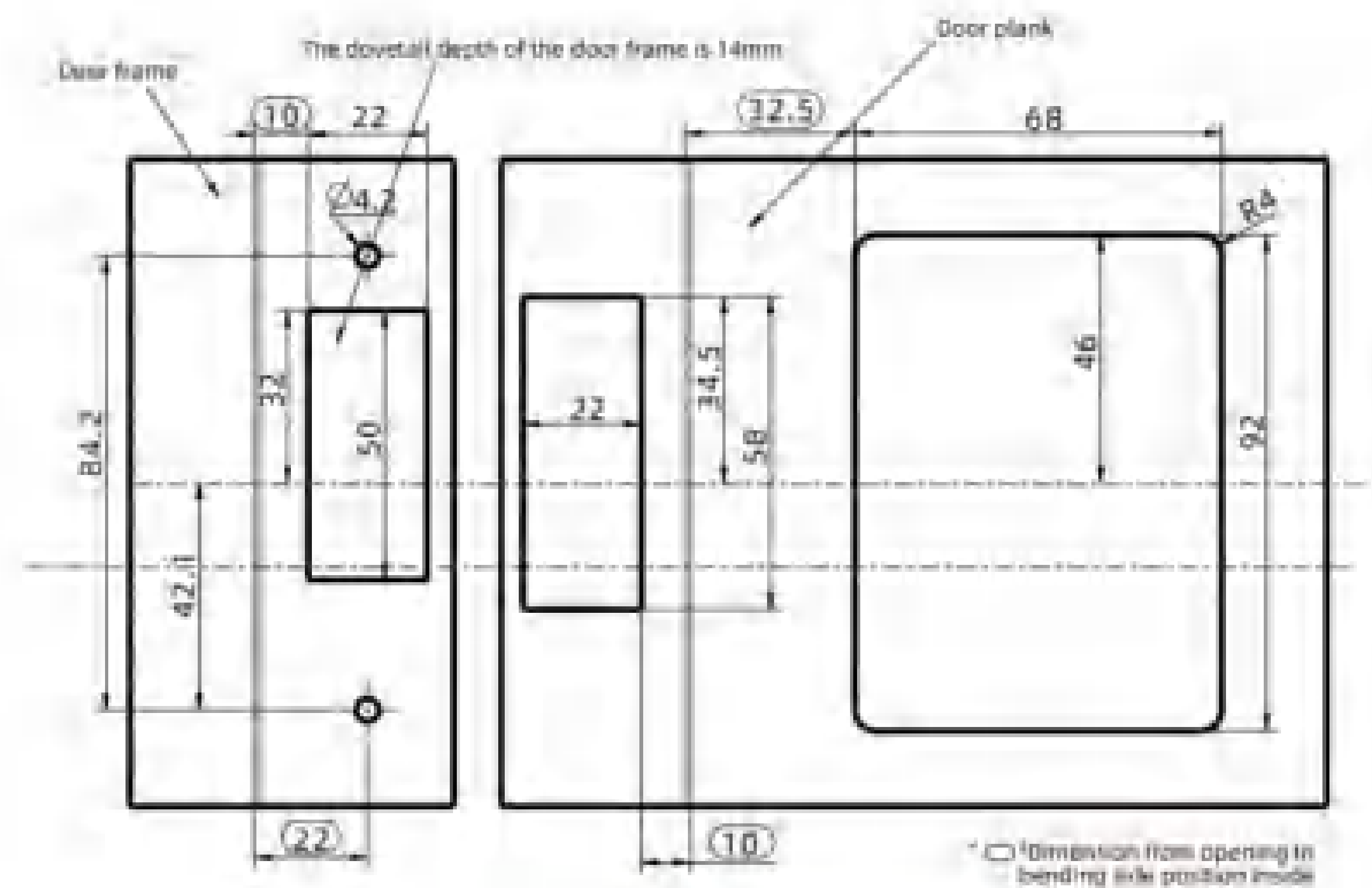




RV-108

**Embedded round handle
pull ring slam latch lock**

- Material: Zinc alloy lock body, Foam gasket.
- Color: Black
- Treatment: Pitted powder spraying
- Cut size: 68*92mm
- Door thicknesses: 31.8mm~38mm



Product Features

Shockproof structure

waterproof, dustproof, and shockproof

Car power selection

Various surface sticker styles
available for selection

Removable and replaceable lock cylinder

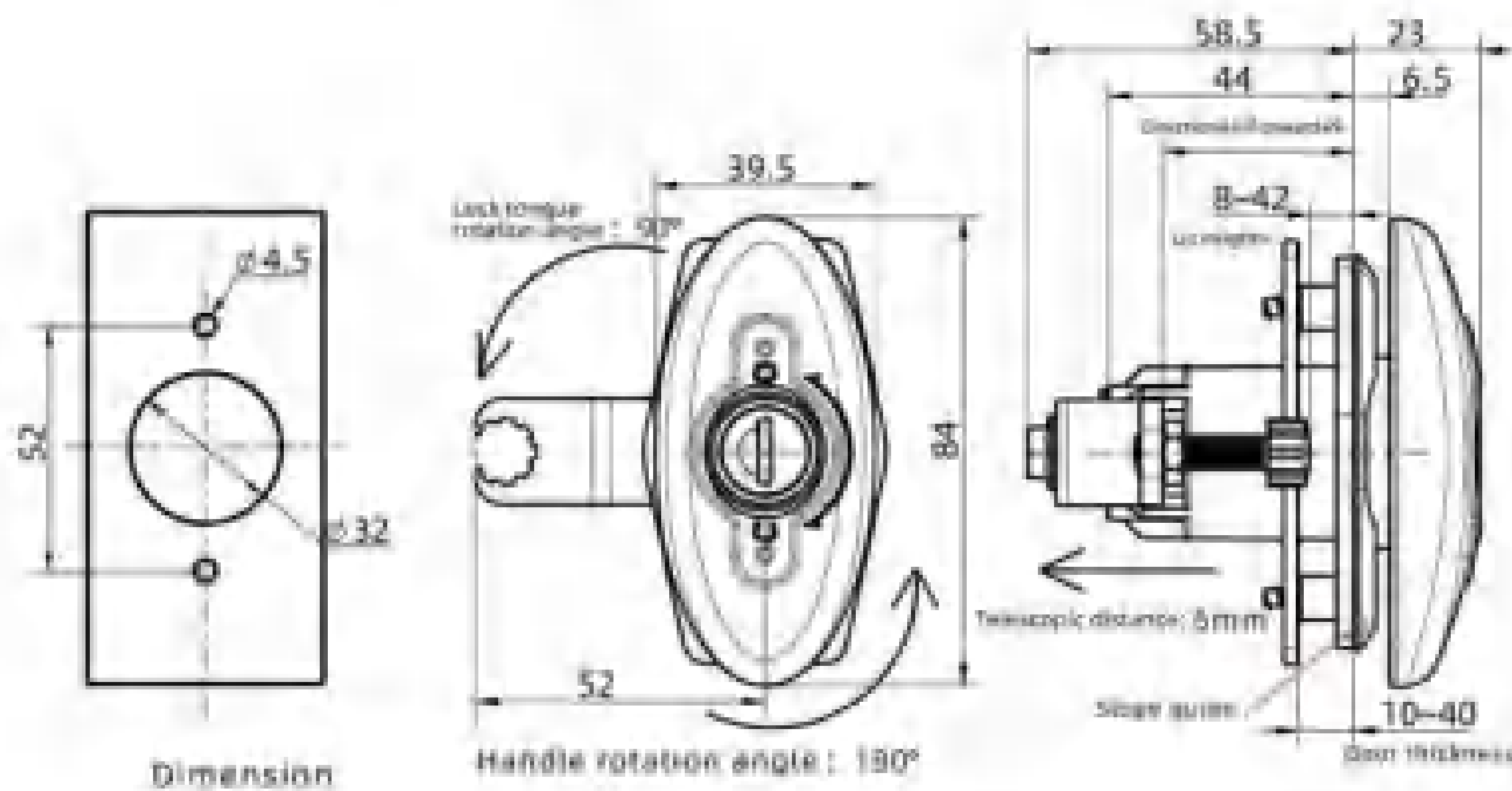


RV-109

Plastic Hatch Cabin RV Lock for Storage Door



- Waterproof, shockproof, and anti-corrosion
- Interchangeable lock cylinder design
- Adjustable seam height : Suitable for different lock point heights
- Independent lock head
- Overall tensioning mechanism
- Slope guide design

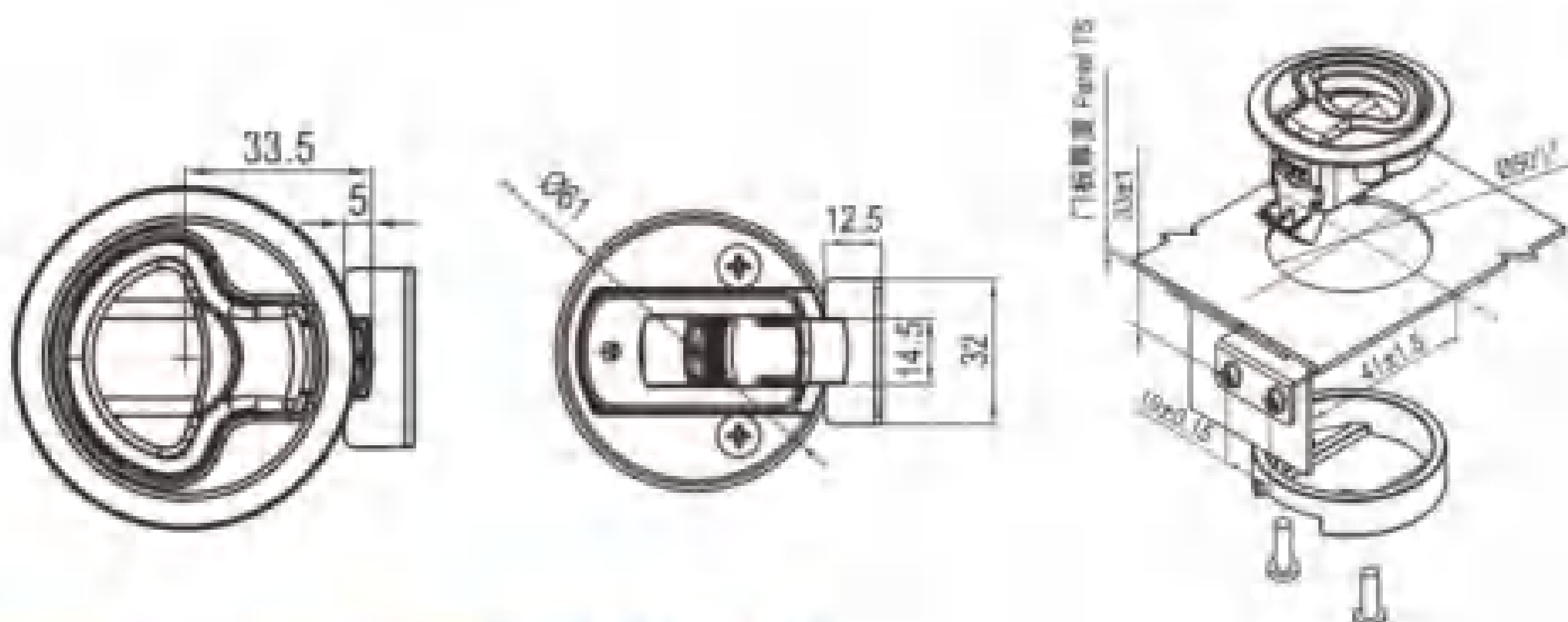


RV-110

Embedded Round Handle Pull Ring Slam Latch Lock



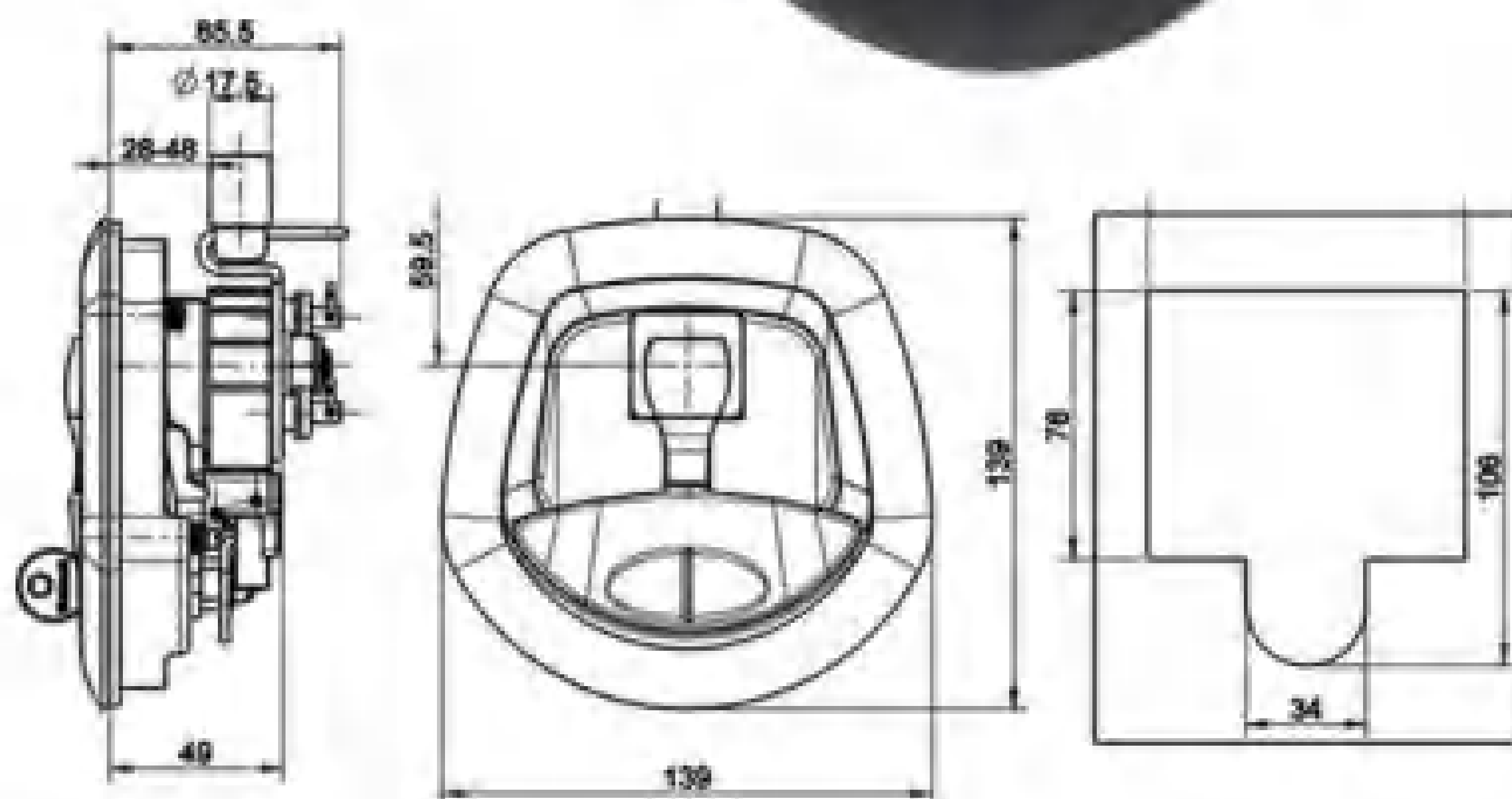
- Specifications: cutting hole: $\Phi 50\text{mm}/2"$
- Door thickness: 0.04"-0.23"
- Material: marine hatch latch lock anticorrosive material and stainless steel and zinc ally , solid and durable in use.
- The flush profile and easy installation make this latch perfect for hatches, live wells, electrical enclosures, and other compartments on your marine boat, RV.



RV-105

Electric Power Whale Tail Compression Handle Lock

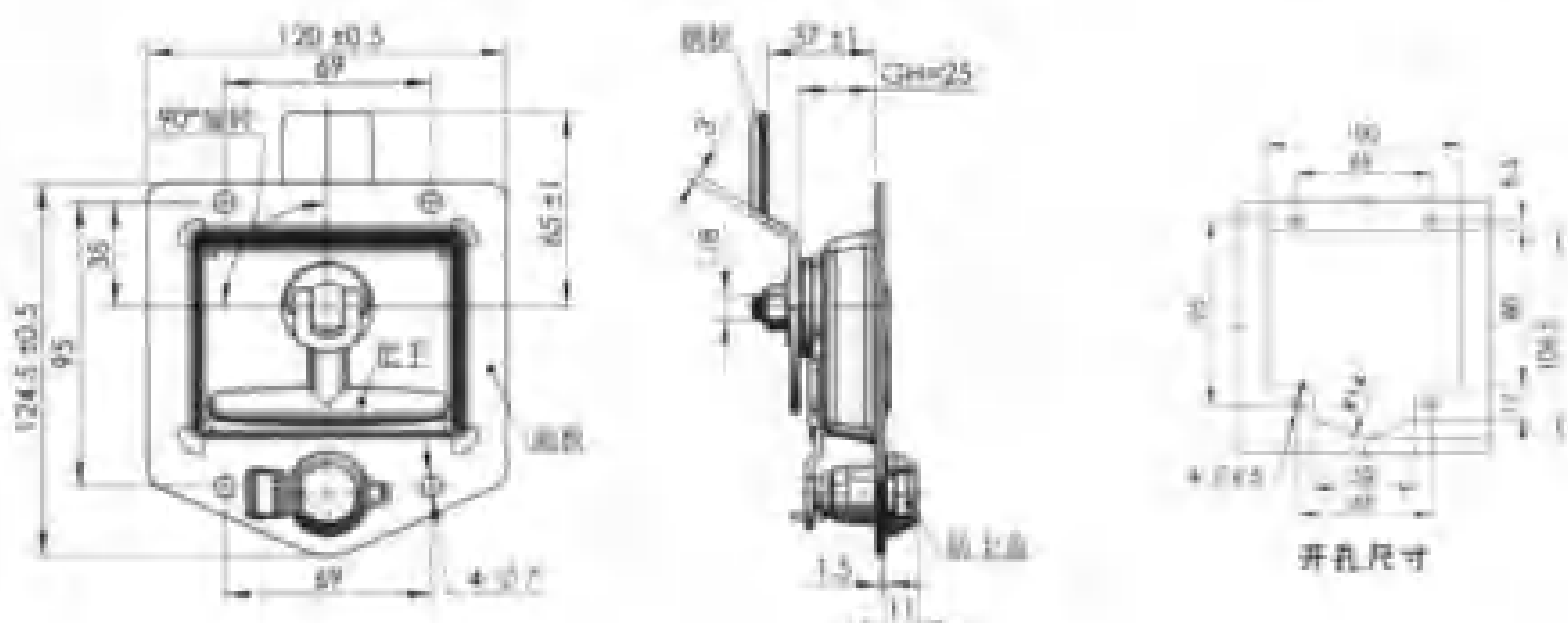
- Weight: 1271g
- Material: Black zinc alloy base; Chrome plated handle and shaft
- Galvanized steel fastener lock catch ,black PA rolling sleeve
- Foam gasket;
- Zinc alloy galvanized press plate;
- Galvanized steelfastener;



RV-051

Folding T Recessed Paddle Shape Tool box Latch

- Material and treatment:
- Stainless steel panel
- Zinc alloy chrome-plated handle
- Galvanized steel locking tongue and screw bar;
- Zinc alloy lock cover





Mob/Wechat/WhatsApp:86-0-186 58255961

Tel: 0086-574-28807557 Skype: NBRUITU

Email:Kevin@nbrato.com suzy@nbrato.com

Web: www.nbrato.com nbrato.en.alibaba.com

Add: Room A316, Hengchuang Shanggu, No. 333, Jinda Road,
Yinzhou District, Ningbo,CHINA, 315100

SGS



View our store



Add me on wechat

NINGBO RATO HARDWARE CO., LTD.